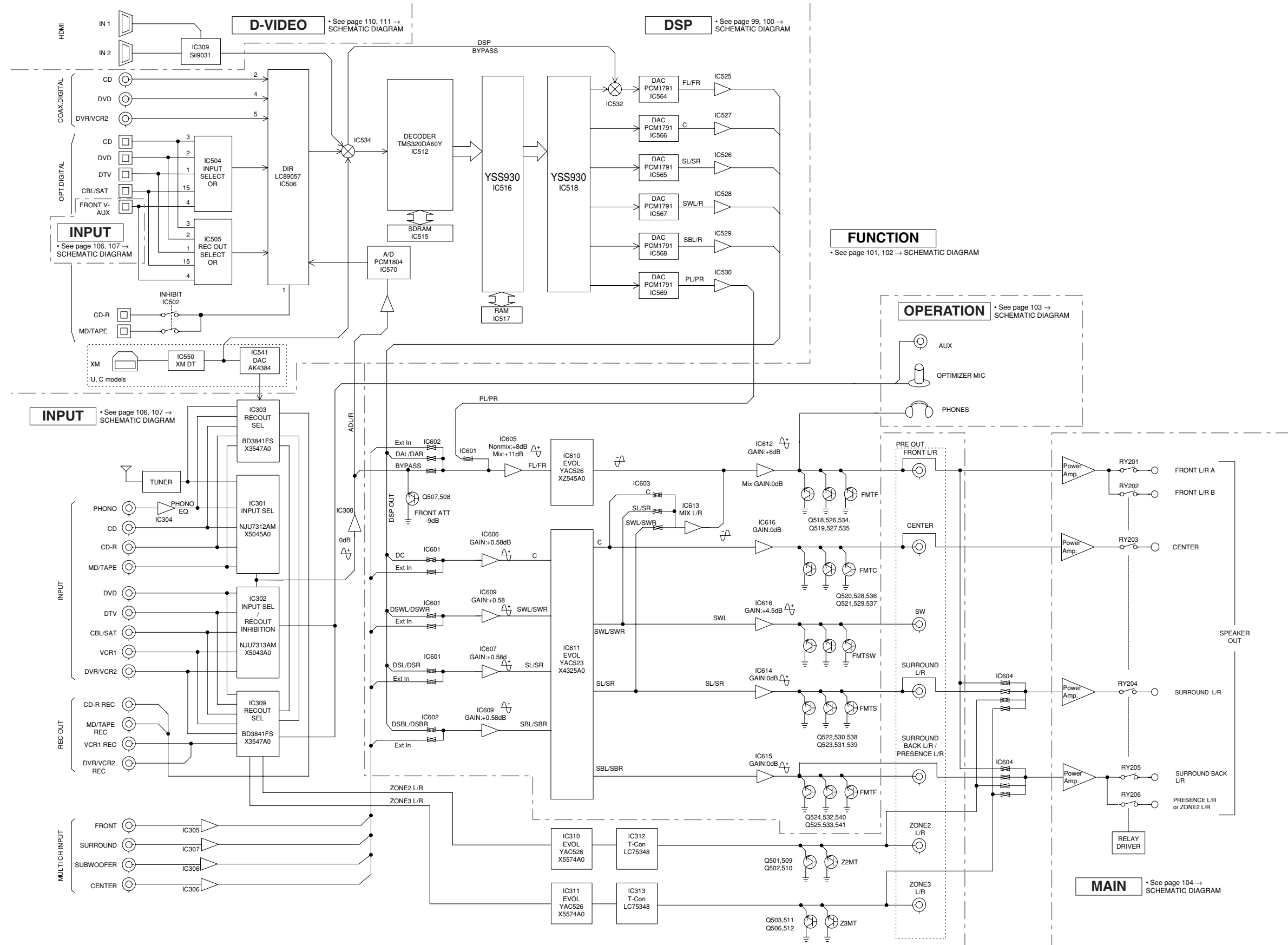
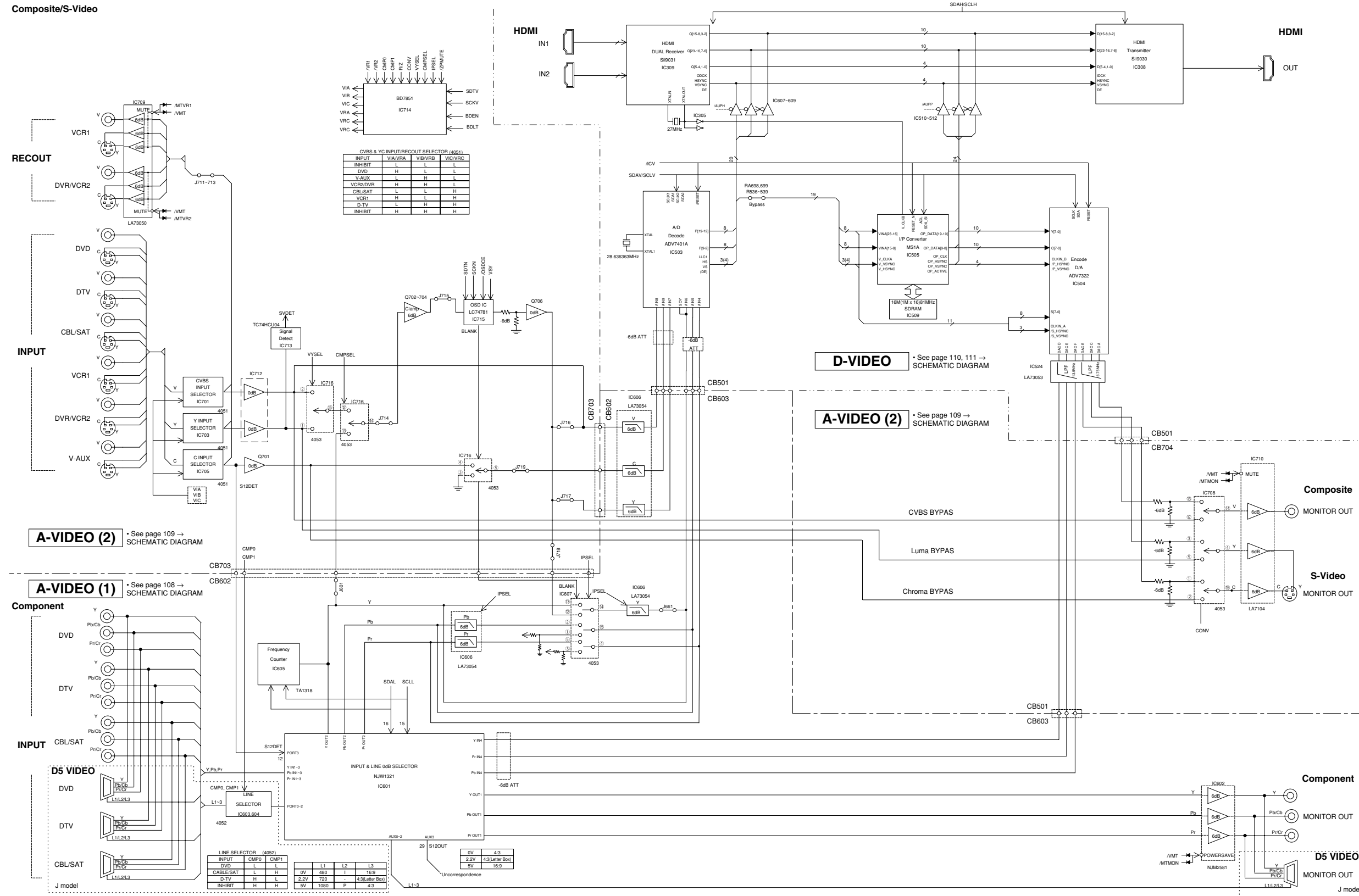


1 ■ BLOCK DIAGRAM (1/3)



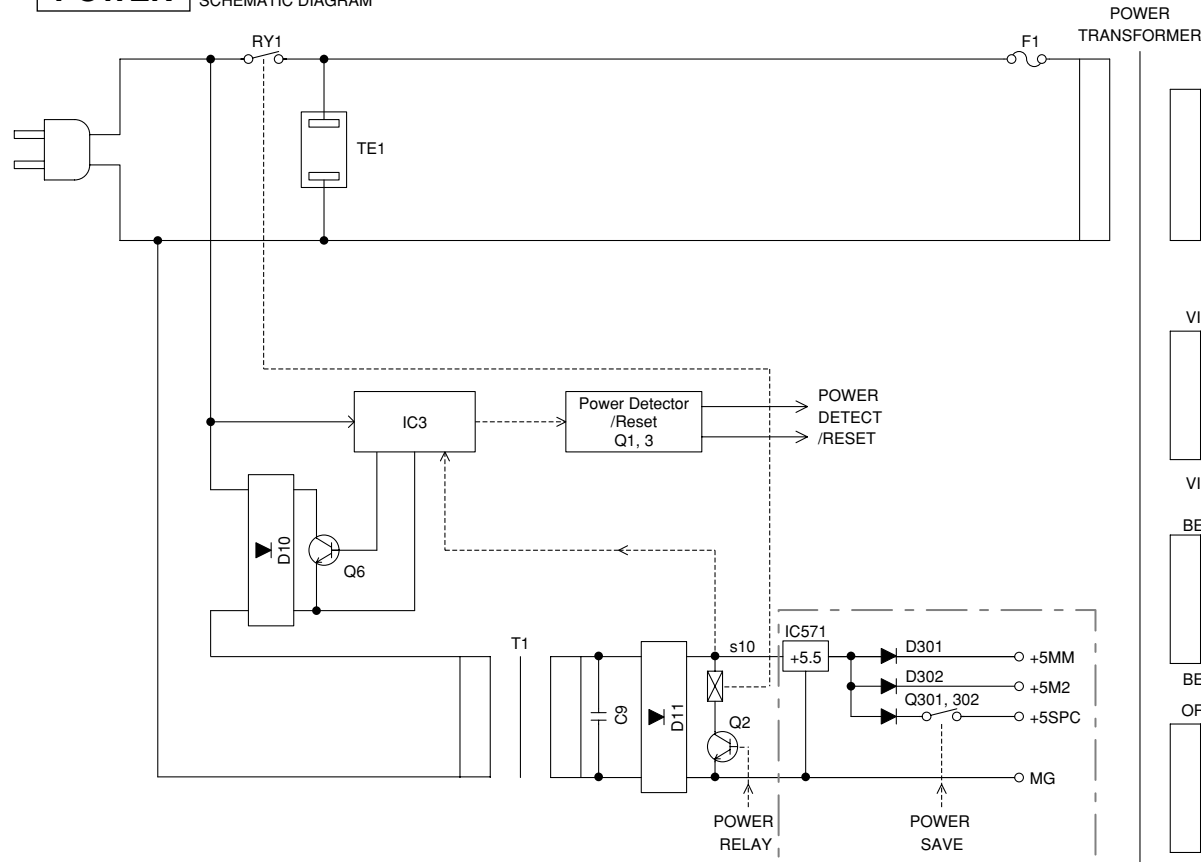
MAIN • See page 104 → SCHEMATIC DIAGRAM

**BLOCK DIAGRAM (2/3)**



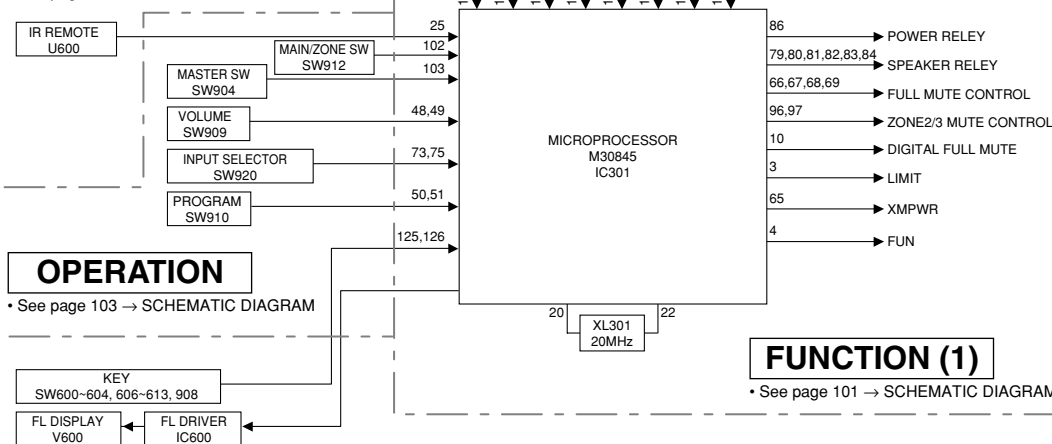
**BLOCK DIAGRAM (3/3)**

**POWER** • See page 105 → SCHEMATIC DIAGRAM



**INPUT (6)**

• See page 107 → SCHEMATIC DIAGRAM

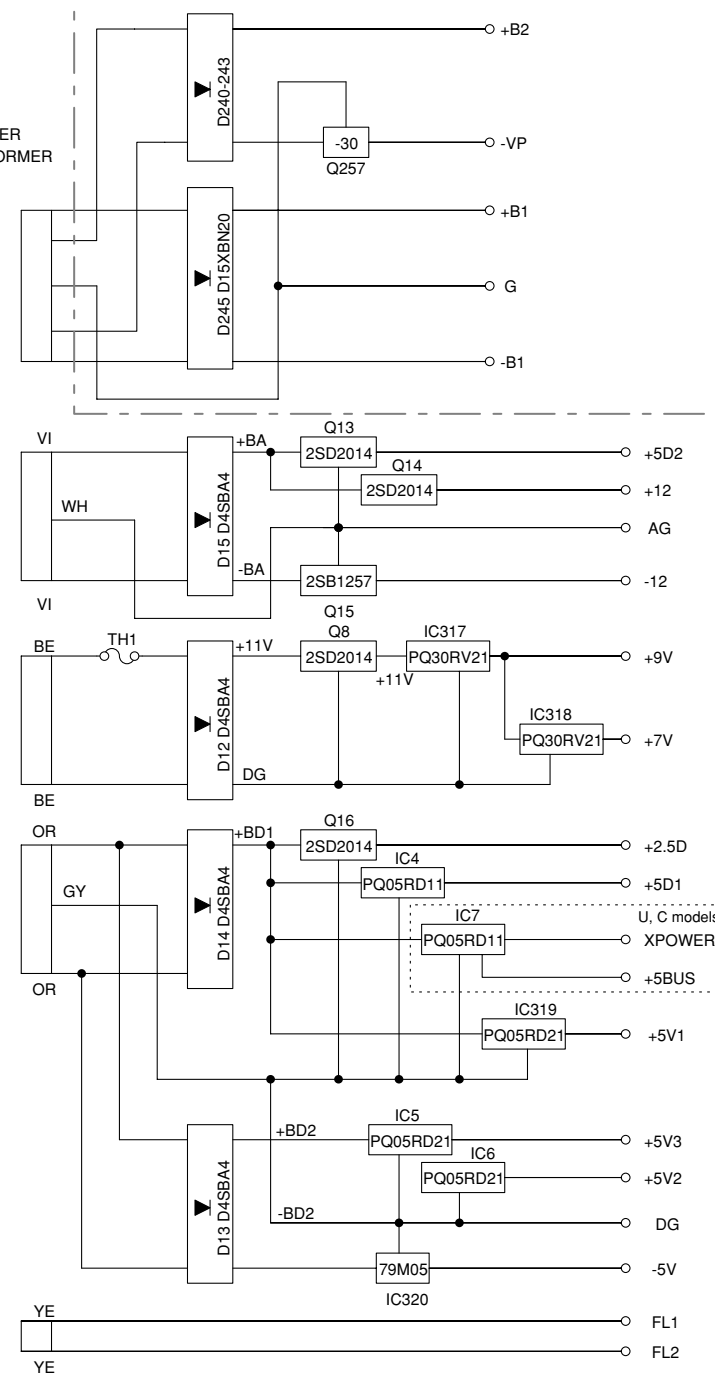


**FUNCTION (1)**

• See page 101 → SCHEMATIC DIAGRAM

**MAIN**

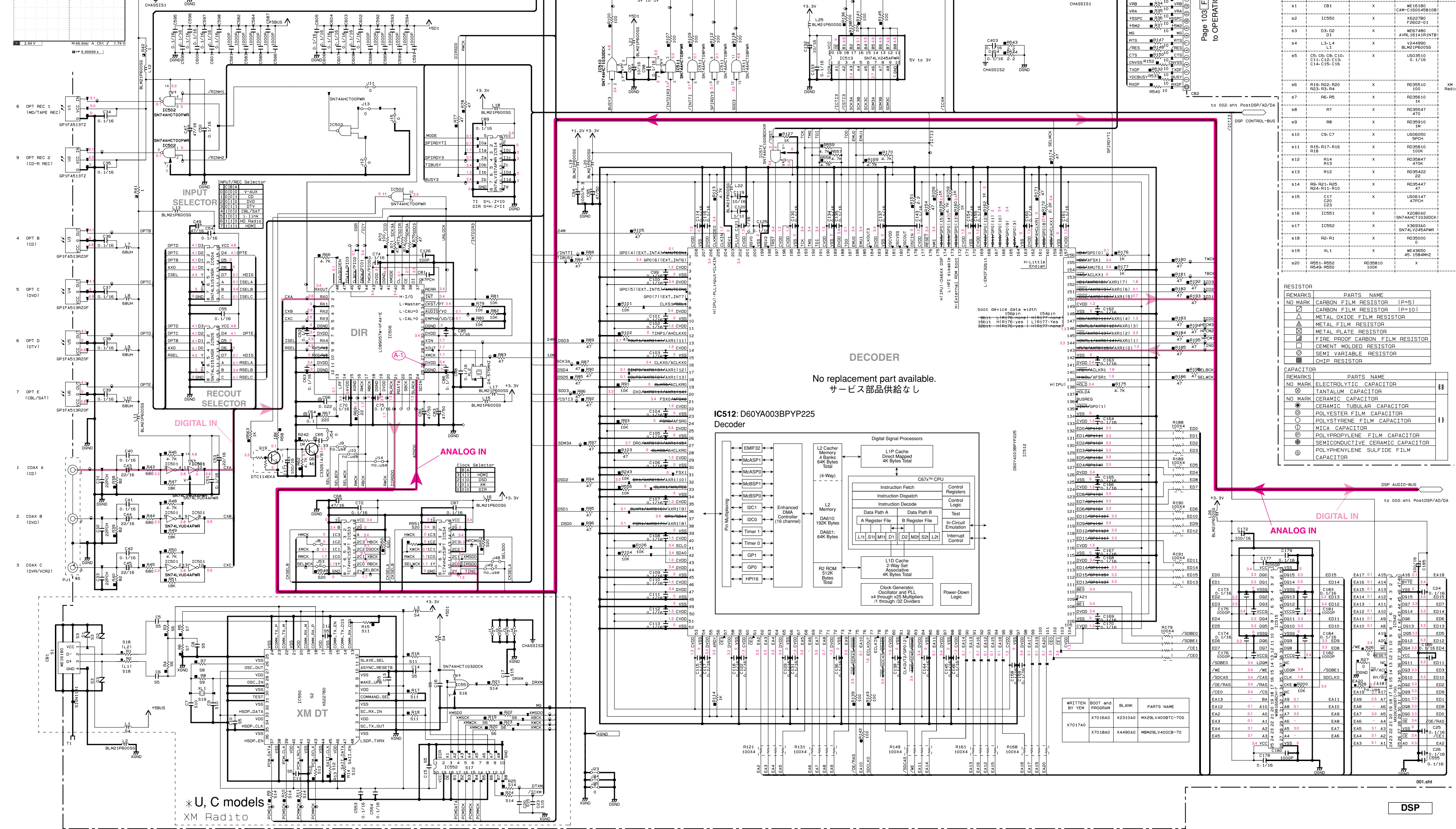
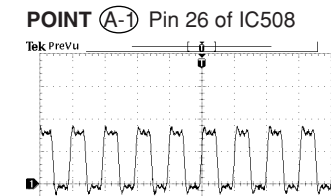
• See page 104 → SCHEMATIC DIAGRAM



PS Protection  
 PRV1  
 D13-15, 240, 245, +12,  
 -12, +2.5D, +5D1, +5D2, +5V2,  
 +5V3, +5BUS (U, C models)  
 PRVS  
 +7, +9V, +5V1, -5V



Page 105 [G7] to POWER (5)\_W7, Page 103 [F3] to OPERATION (3)\_CB904, Page 101 [J2] to FUNCTION (1)\_CB317, Page 101 [J3] to FUNCTION (1)\_CB318, Page 101 [J4] to FUNCTION (1)\_CB319



NOTICE (model) (J) JAPAN (U) U.S.A (C) CANADA (A) GENERAL (T) CHINA (K) KOREA (A) AUSTRALIA (B) BRITISH (G) EUROPE (L) SINGAPORE (E) SOUTH EUROPE (V) TAIWAN

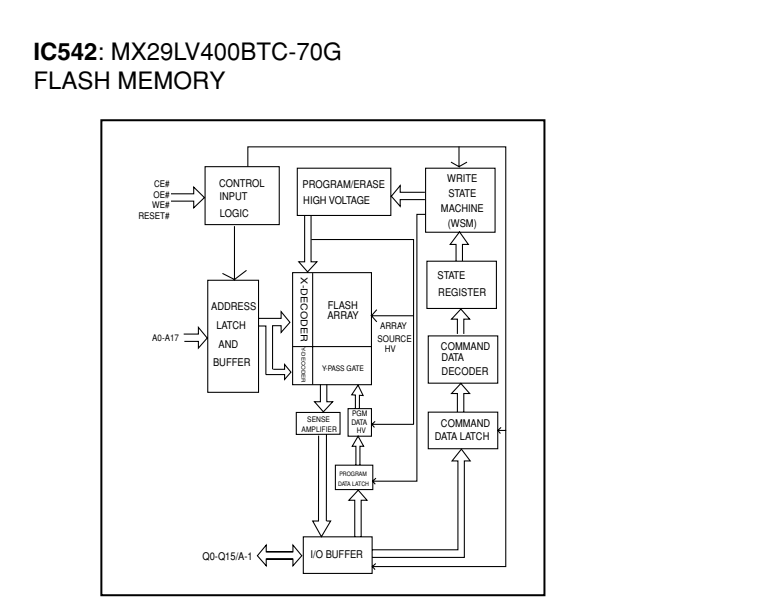
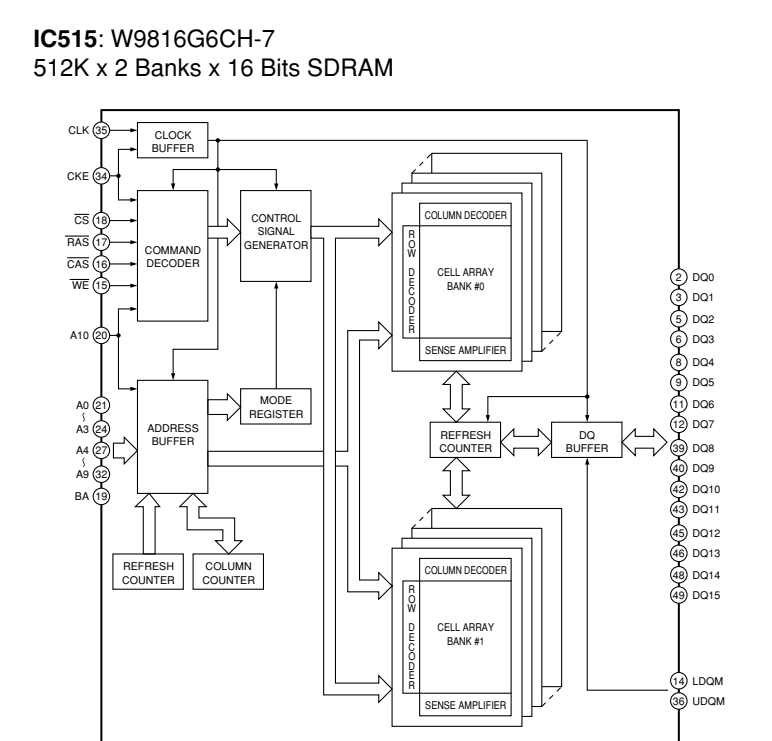
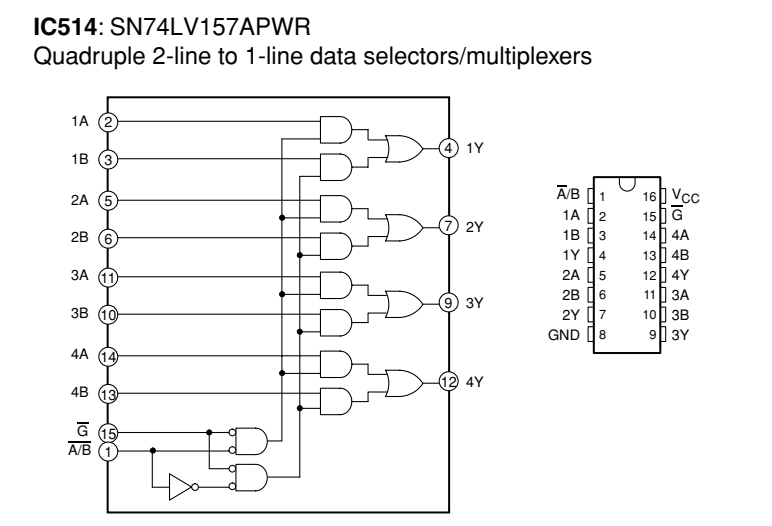
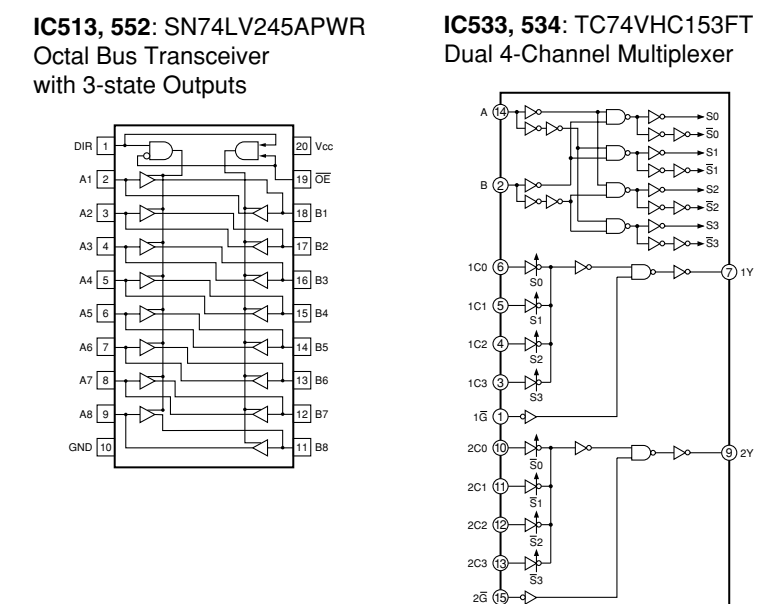
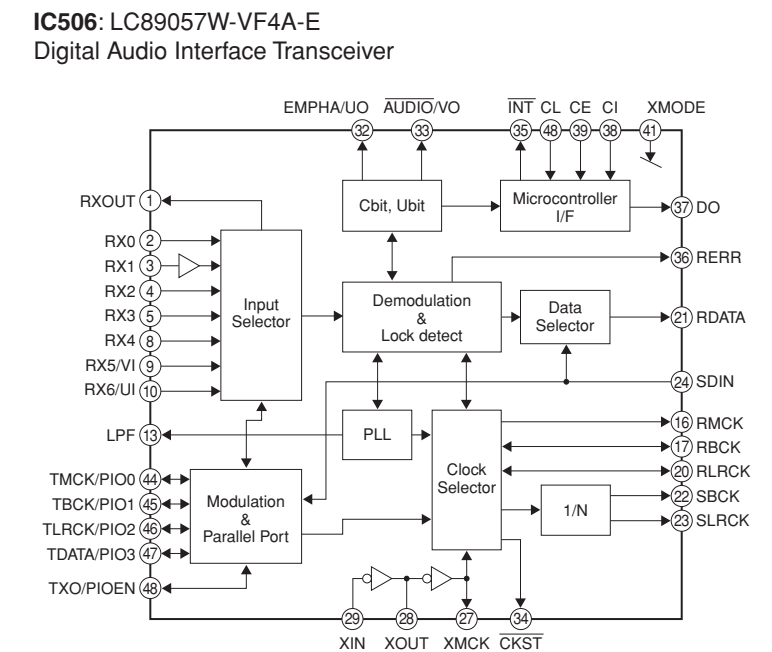
Interchangeable Parts at Manufacture-Stage table with columns: Mark, Reference Parts Number, Parts Name.

Destination Part List table with columns: Mark, Loc, U.C. R.T.K.A.B.S.L.U.C.

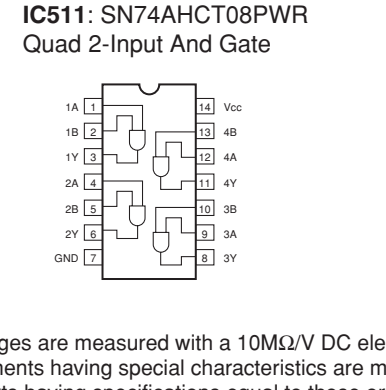
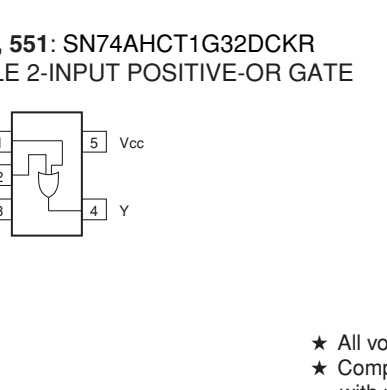
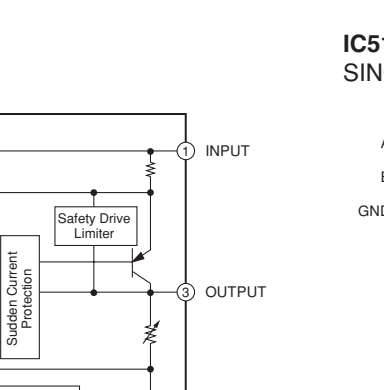
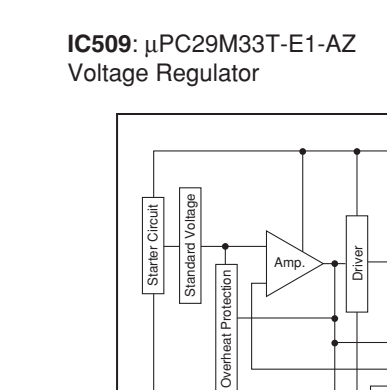
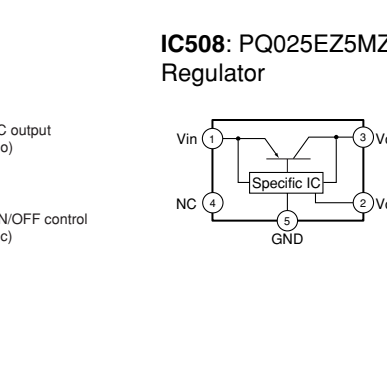
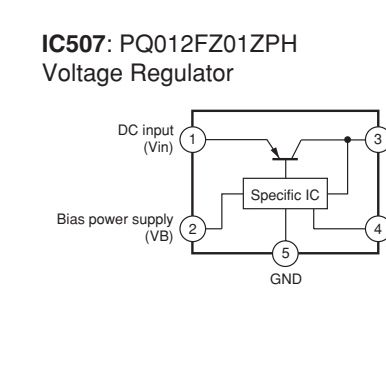
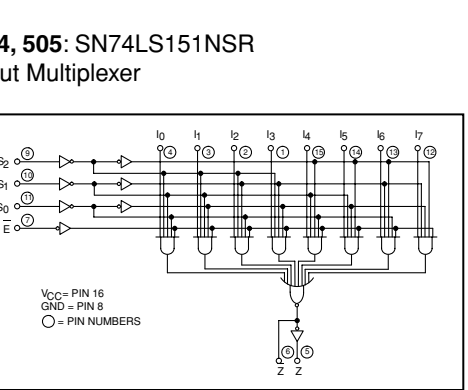
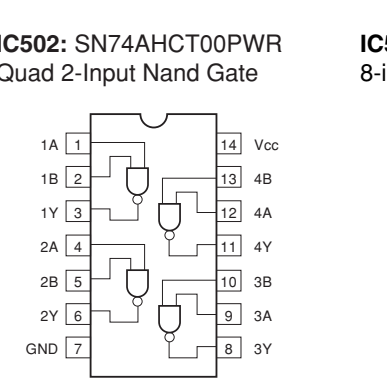
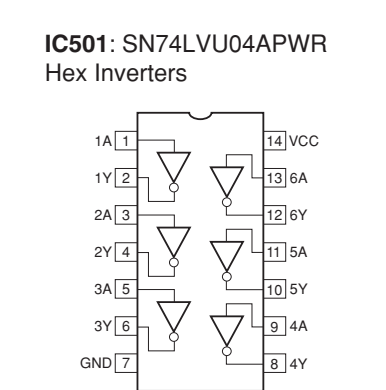
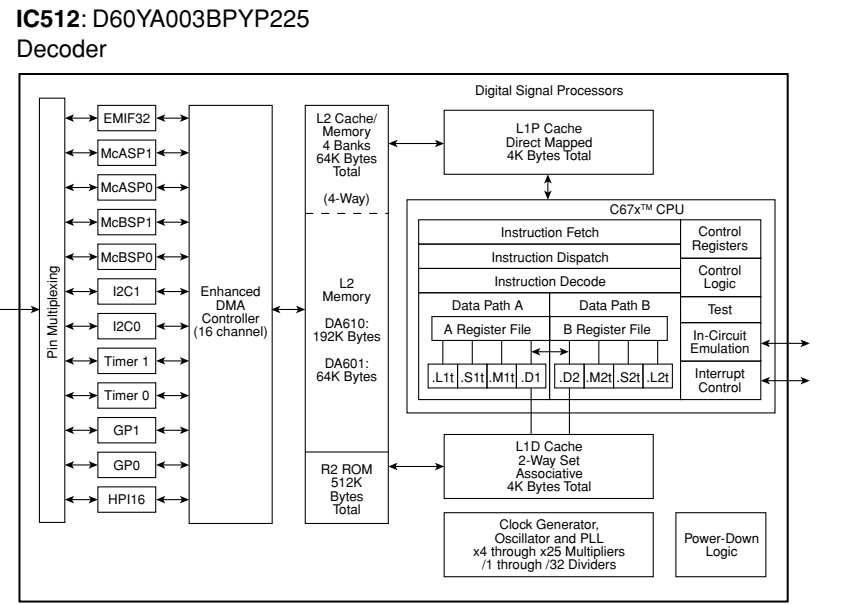
RESISTOR table with columns: REMARKS, PARTS NAME.

CAPACITOR table with columns: REMARKS, PARTS NAME.

Table with columns: WRITTEN BY, BOOT PROG, BLANK, PARTS NAME.

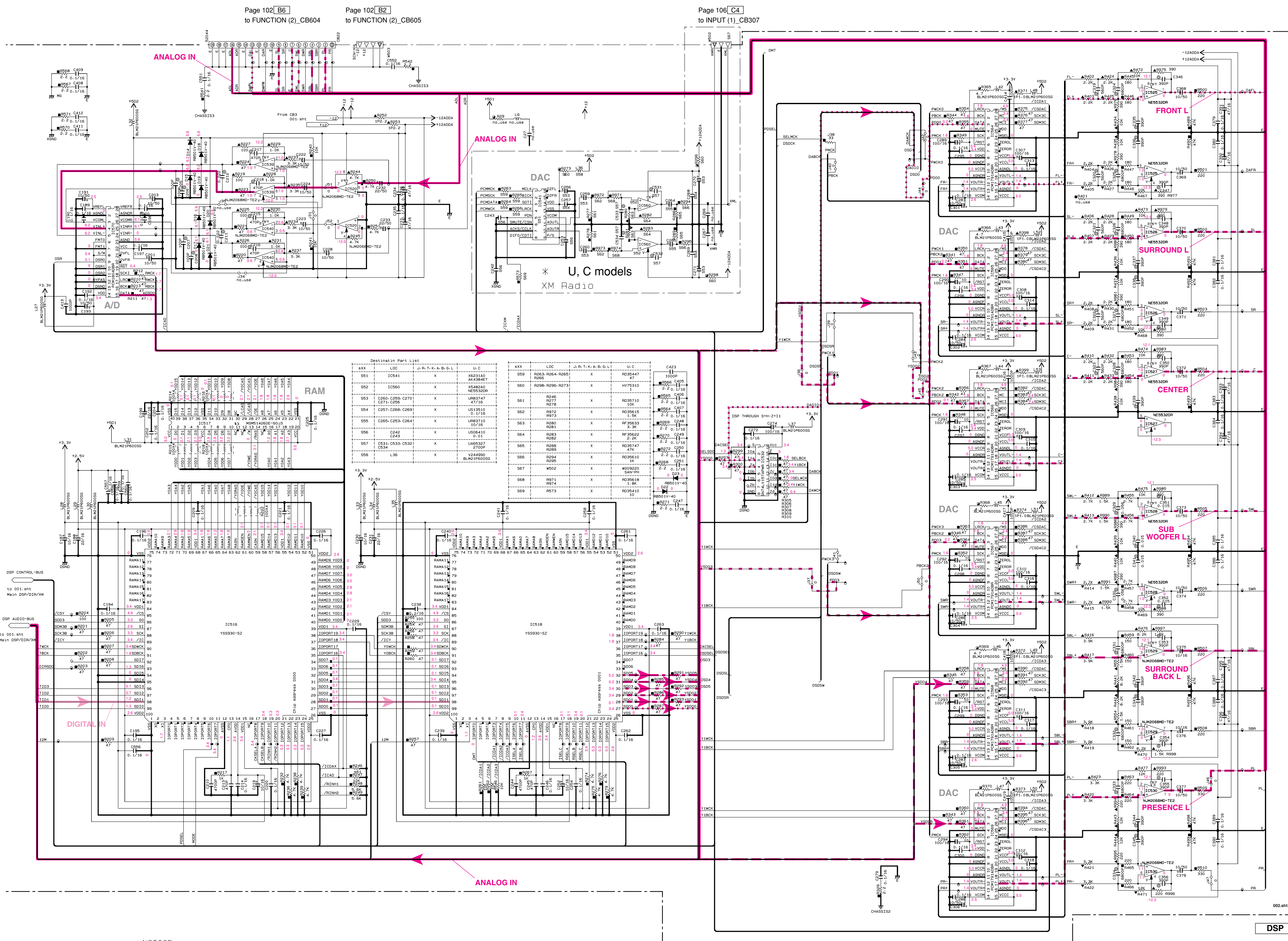


DECODER No replacement part available. サービス部品供給なし

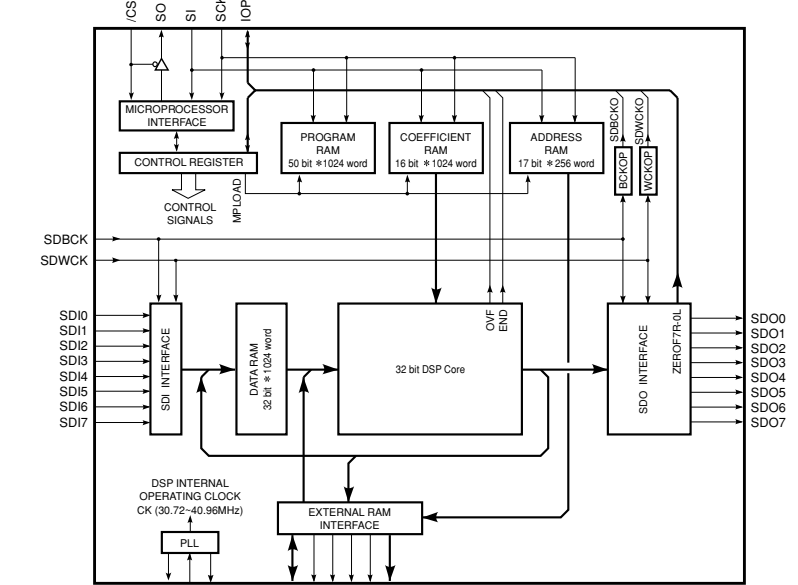


\* All voltages are measured with a 10MΩ/V DC electronic volt meter. ● 電圧は、内部抵抗10MΩの電圧計で測定したものです。 \* Components having special characteristics are marked !, and must be replaced with parts having specifications equal to those originally installed. ● 印のある部品は、安全性確保部品を示しています。部品の交換が必要な場合、必ずこのマークに認識されている部品を使用してください。 \* Schematic diagram is subject to change without notice. ● 本回路図は標準回路図です。改良のため予告なく変更することがございます。

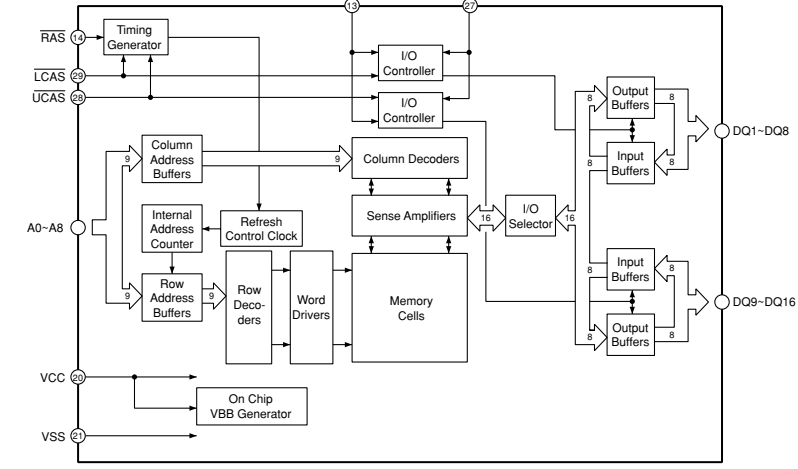




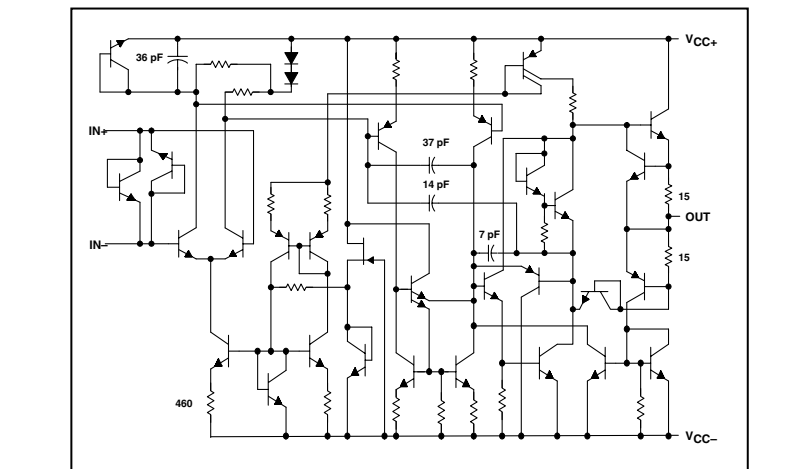
**IC516, 518: Y59930-SZ DSP**



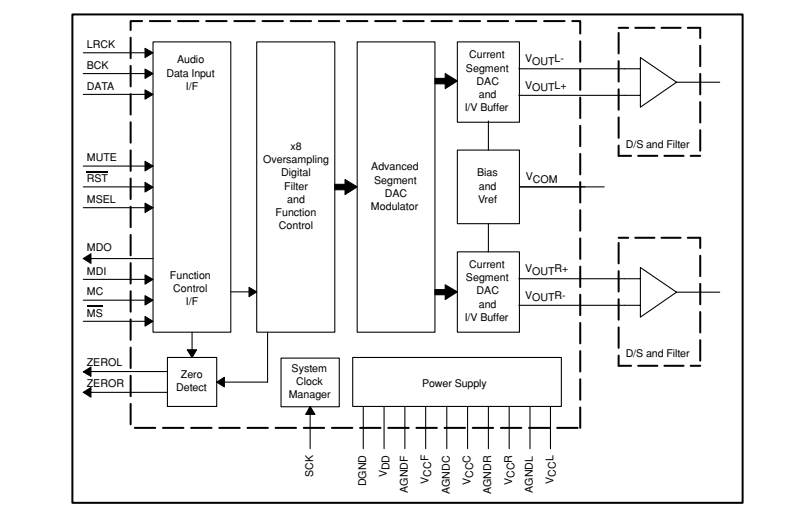
**IC517: MSM514260E-60JS 4Mbit DRAM**



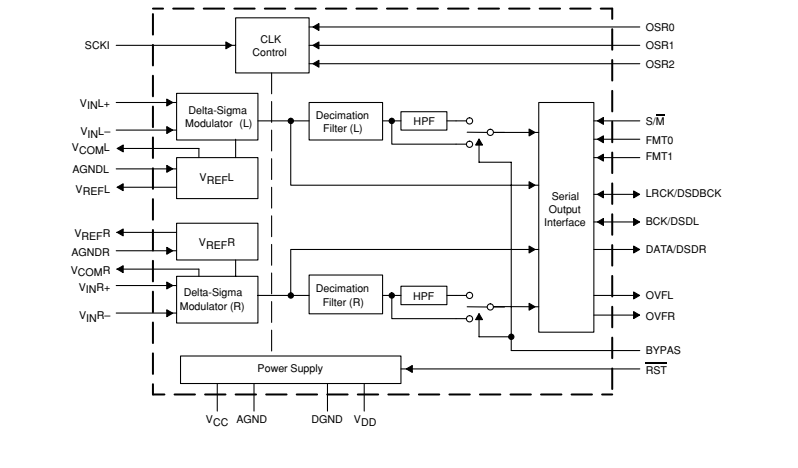
**IC560: NE5532DR DUAL LOW-NOISE OPERATIONAL AMPLIFIERS**



**IC564-569: PCM1791ADR Audio stereo digital-to-analog converter**

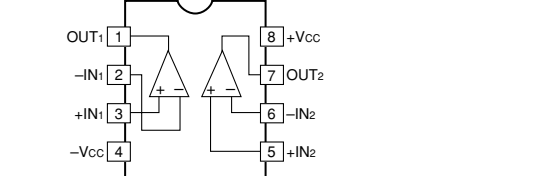


**IC570: PCM1804DBR Stereo A/D converter**

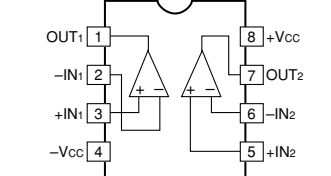


**NOTICE (model)**  
 (J)..... JAPAN  
 (U)..... U.S.A.  
 (C)..... CANADA  
 (R)..... GENERAL  
 (T)..... CHINA  
 (K)..... KOREA  
 (A)..... AUSTRALIA  
 (B)..... BRITISH  
 (G)..... EUROPE  
 (L)..... SINGAPORE  
 (E)..... SOUTH EUROPE  
 (V)..... TAIWAN

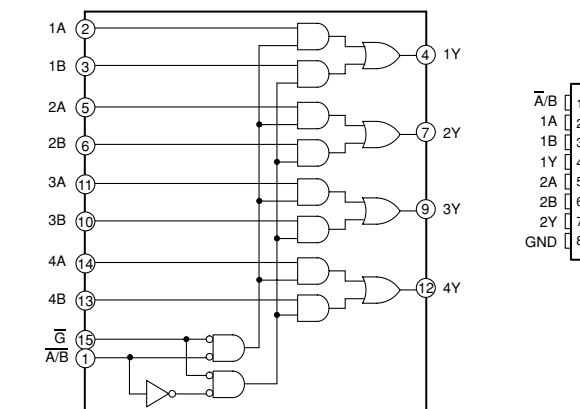
**IC520, 529, 530, 539, 540: NJM2068MD-TE2 Dual OP-Amp**



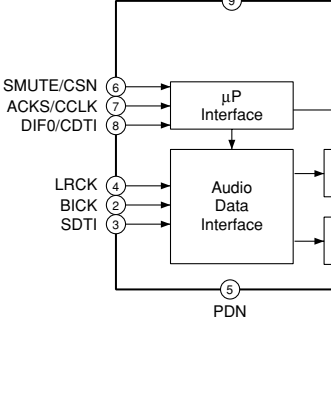
**IC525-528: NE5532DR Dual OP-Amp**



**IC532: SN74L157APWR Quaduple 2-line to 1-line data selectors/multiplexers**



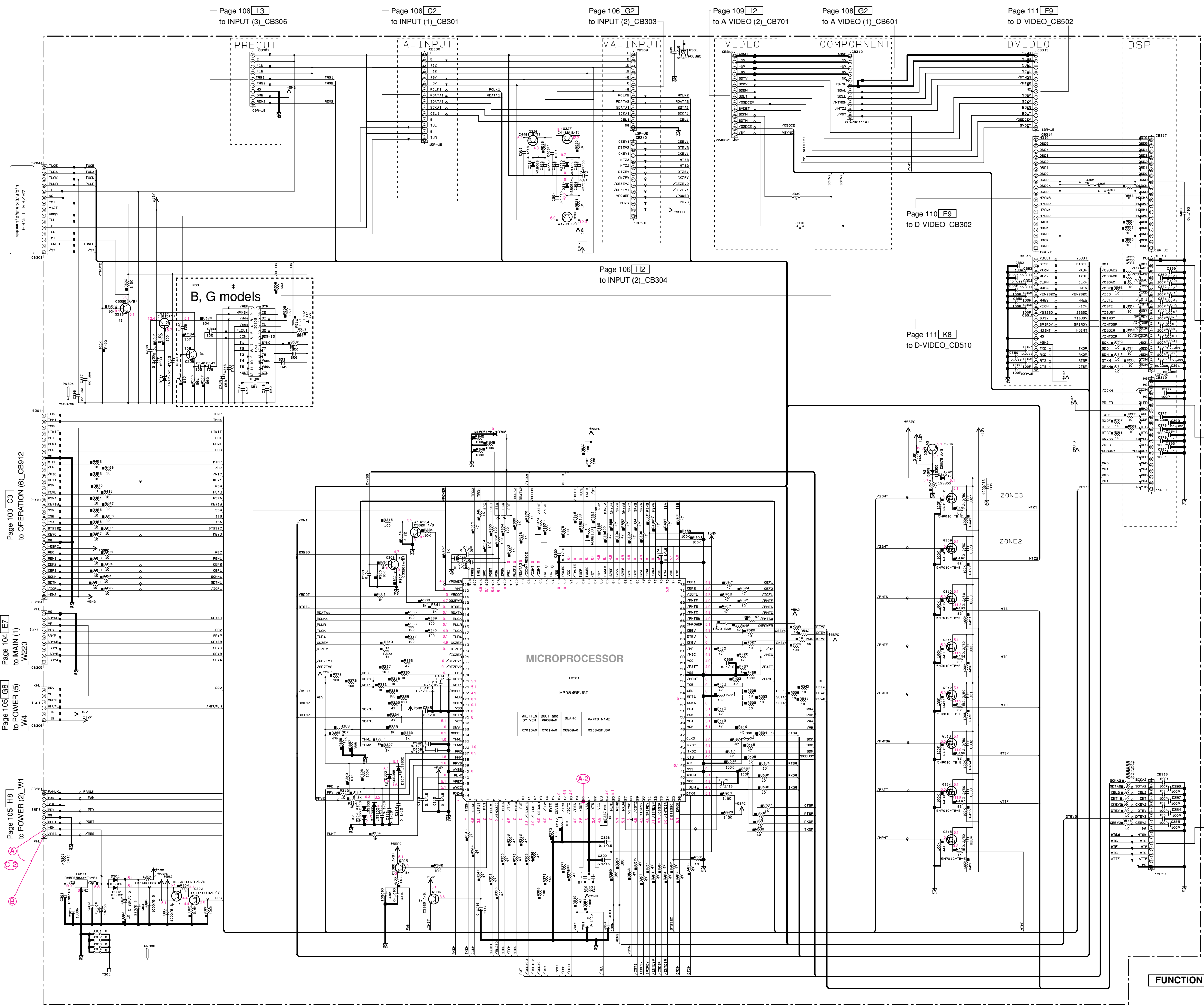
**IC541: AK4384ET D/A Converter**



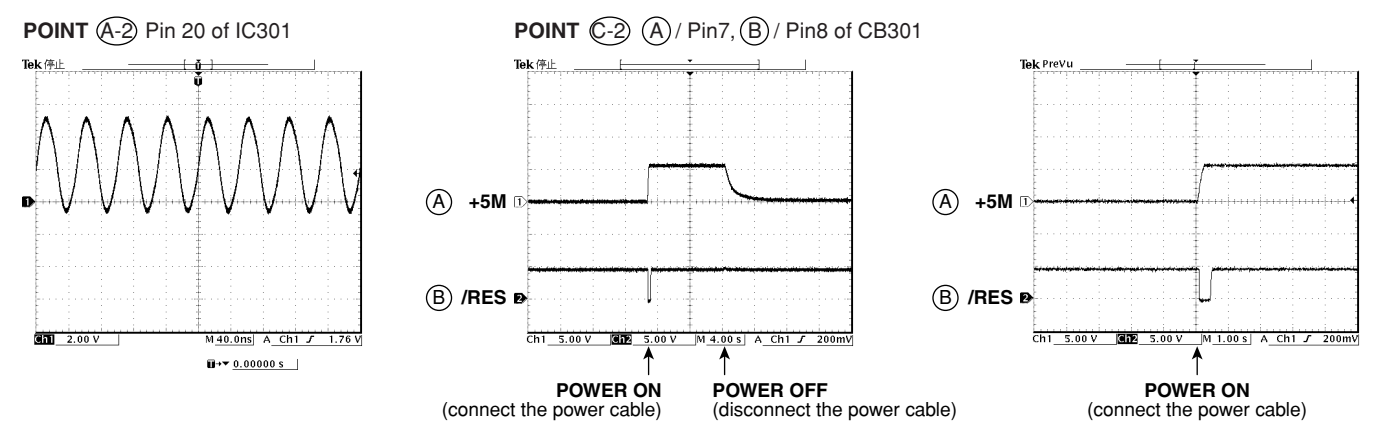
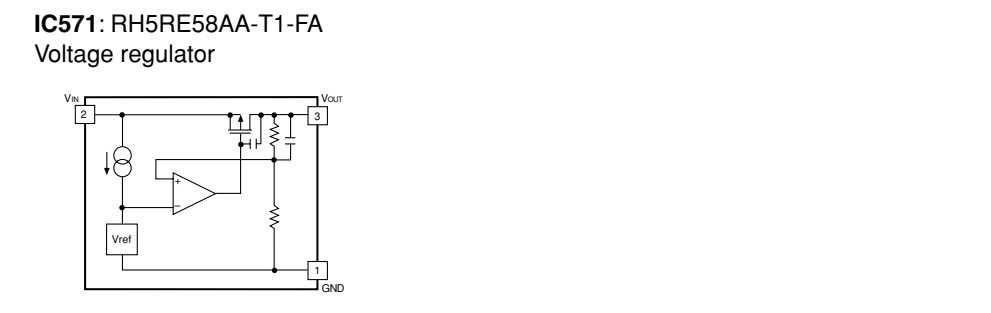
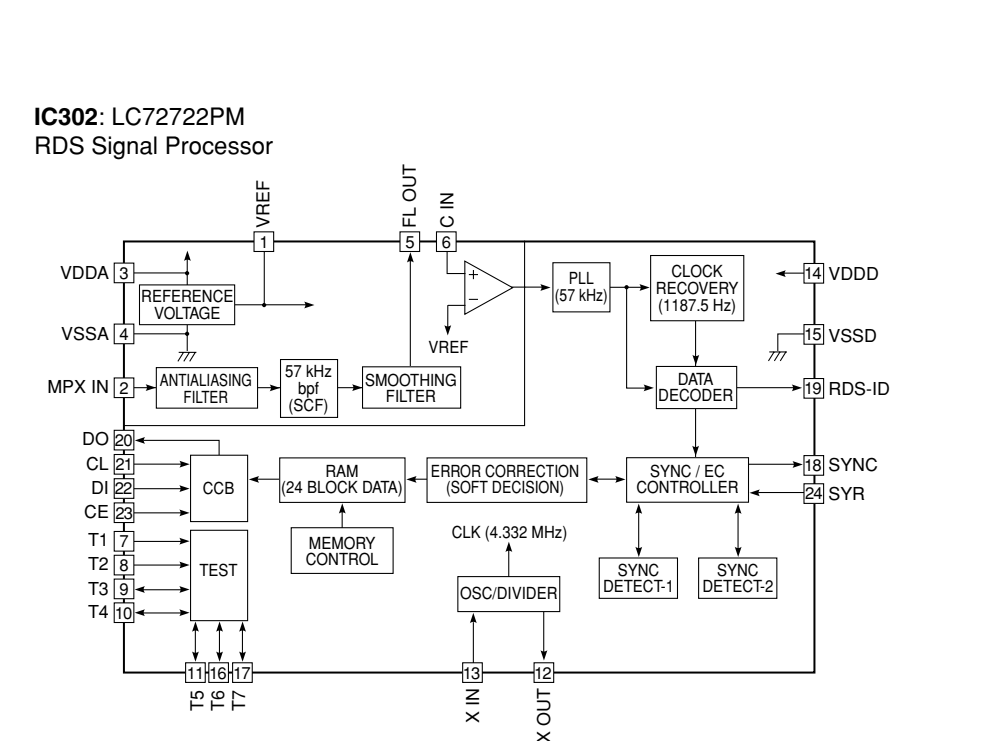
\* All voltages are measured with a 10MΩ/V DC electronic volt meter.  
 \* Components having special characteristics are marked with a triangle and must be replaced with parts having specifications equal to those originally installed.  
 \* Schematic diagram is subject to change without notice.

● 電圧は、内部抵抗10MΩの電圧計で測定したものです。  
 ● 印のある部品は、安全性確保部品を示しています。部品の交換が必要な場合、パーツリストに記載されている部品を使用してください。  
 ● 本回路図は標準回路図です。改良のため予告なく変更することがございます。



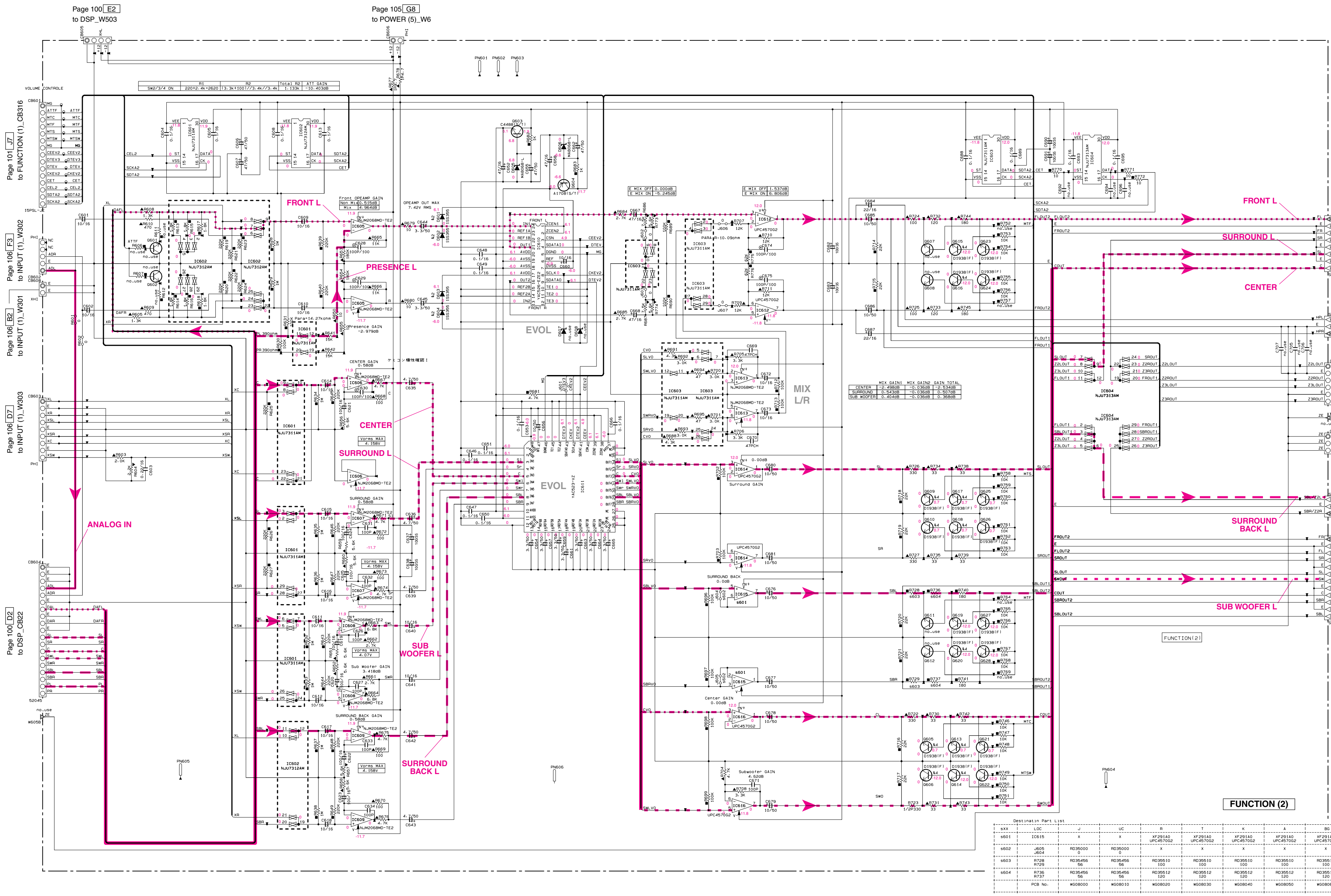


Destination Part List	Part Name	Part No.	Quantity	Remarks
981	LC	LC	1	
982	LC	LC	1	
983	LC	LC	1	
984	LC	LC	1	
985	LC	LC	1	
986	LC	LC	1	
987	LC	LC	1	
988	LC	LC	1	
989	LC	LC	1	
990	LC	LC	1	
991	LC	LC	1	
992	LC	LC	1	
993	LC	LC	1	
994	LC	LC	1	
995	LC	LC	1	
996	LC	LC	1	
997	LC	LC	1	
998	LC	LC	1	
999	LC	LC	1	
1000	LC	LC	1	



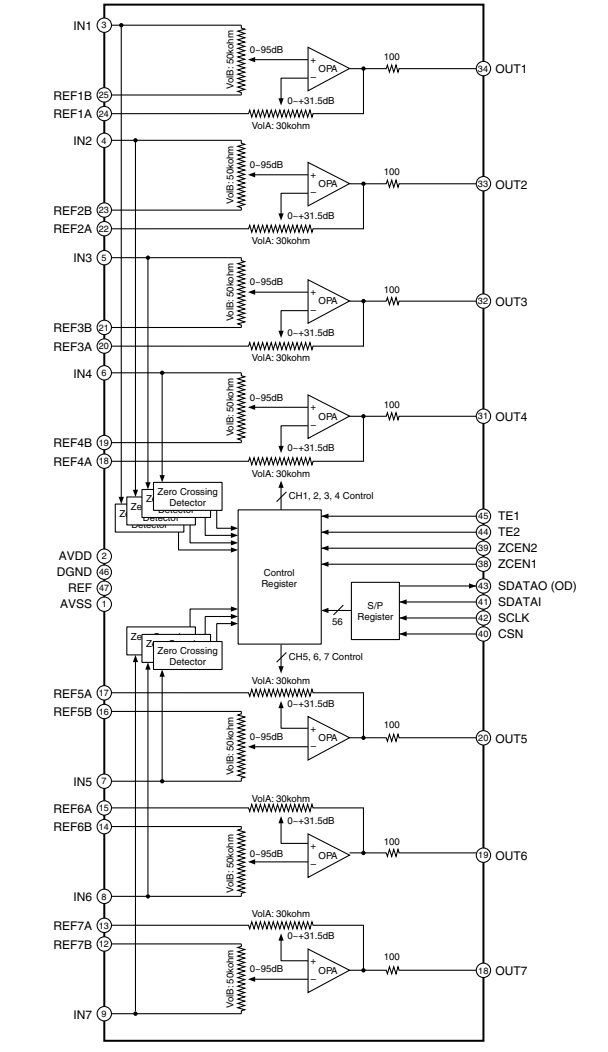
\* All voltages are measured with a 10M $\Omega$ /V DC electronic volt meter.  
 ● 電圧は、内部抵抗10M $\Omega$ の電圧計で測定したものです。  
 \* Components having special characteristics are marked †, and must be replaced with parts having specifications equal to those originally installed.  
 ● †印のある部品は、安全性確保部品を示しています。部品の交換が必要な場合、パーツリストに記載されている部品を使用してください。  
 \* Schematic diagram is subject to change without notice.  
 ● 本回路図は標準回路図です。改良のため予告なく変更することがございます。



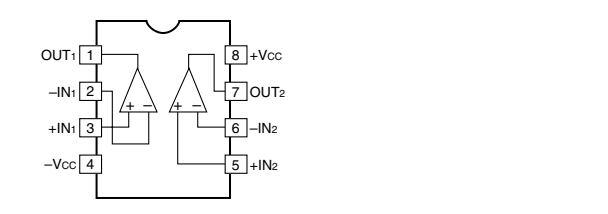


Page 101 [J7] to FUNCTION (1)\_CB316  
 Page 106 [E3] to INPUT (1)\_W302  
 Page 106 [B2] to INPUT (1)\_W301  
 Page 106 [D7] to INPUT (1)\_W303  
 Page 100 [D2] to DSP\_CB22  
 Page 05 [A4] to POWER (1)\_CB40  
 Page 103 [E7] to OPERATION (3)  
 Page 106 [L5] to INPUT (2)  
 Page 105 [E3] to POWER (4)  
 Page 106 [L7] to INPUT (3)\_CB332  
 Page 106 [F8] to POWER (2)  
 Page 105 [W307] to CB44

**IC611: YAC523-EVR2**  
 Digital Volume



**IC612, 614, 615, 616: μPC4570G2**  
 Dual OP-Amp



Destination Part List	IC	D	F	G	H	J	K	L	M	N
8601	IC611	X	X	X	X	X	X	X	X	X
8602	IC612	X	X	X	X	X	X	X	X	X
8603	IC614	X	X	X	X	X	X	X	X	X
8604	IC615	X	X	X	X	X	X	X	X	X
8605	IC616	X	X	X	X	X	X	X	X	X

設計値	実測値	設計値	実測値	
TOTAL	1.488	TOTAL	1.488	
FRONT	0.0	12.5	1.5	14.0
CENTER	0.0	14.0	0.0	14.0
SURROUND	0.0	14.0	0.0	14.0
SURROUND BACK	0.0	14.0	0.0	14.0
SUB WOOFER	0.0	14.0	0.0	14.0
ZONE 1_ZONE3	0.0	14.0	0.0	14.0

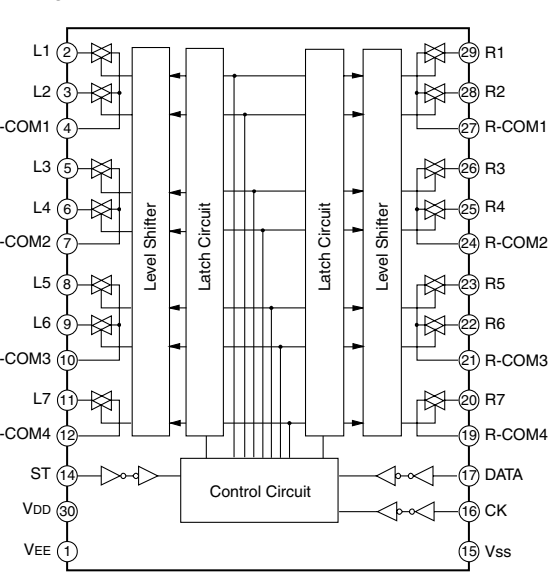
設計値	実測値	設計値	実測値	
TOTAL	1.488	TOTAL	1.488	
FRONT	0.515	12.5	1.537	14.552
CENTER	0.584	14.0	0.0	14.584
SURROUND	0.584	14.0	0.0	14.584
SURROUND BACK	0.584	14.0	0.0	14.584
SUB WOOFER	0.584	14.0	0.0	14.584
ZONE 1_ZONE3	0.0	14.0	0.0	14.584

REMARKS	PARTS NAME
NO MARK	ELECTROLYTIC CAPACITOR
○	TANTALUM CAPACITOR
●	CERAMIC CAPACITOR
○	POLYESTER FILM CAPACITOR
○	POLYSTYRENE FILM CAPACITOR
○	MICA CAPACITOR
○	POLYPROPYLENE FILM CAPACITOR
○	SEMICONDUCTIVE CERAMIC CAPACITOR
○	POLYPHENYLENE SULFIDE FILM CAPACITOR

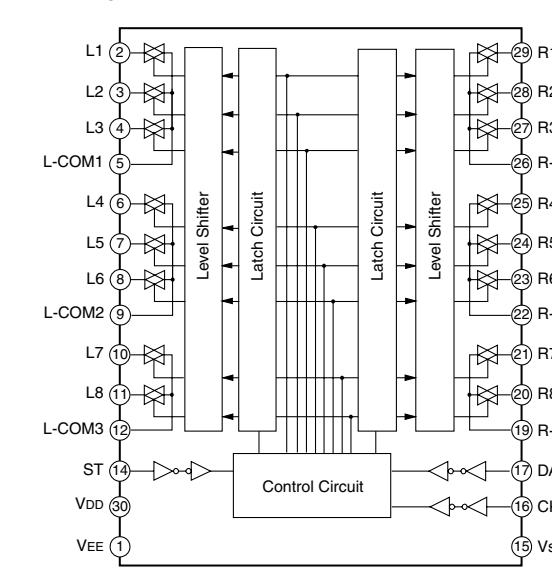
REMARKS	PARTS NAME
NO MARK	CARBON FILM RESISTOR (P=5)
○	CARBON FILM RESISTOR (P=10)
△	METAL OXIDE FILM RESISTOR
○	METAL FILM RESISTOR
○	FINE PROOF CARBON FILM RESISTOR
○	CEMENT MOLDED RESISTOR
○	SEMI-VARIABLE RESISTOR
■	CHIP RESISTOR

**NOTICE (mode1)**  
 (J)..... JAPAN  
 (U)..... U.S.A  
 (C)..... CANADA  
 (R)..... GENERAL  
 (T)..... CHINA  
 (K)..... KOREA  
 (A)..... AUSTRALIA  
 (B)..... BRITISH  
 (G)..... EUROPE  
 (L)..... SINGAPORE  
 (V)..... TAIWAN

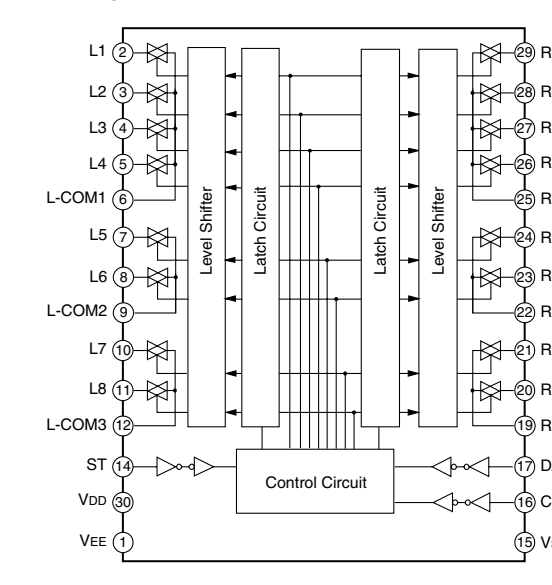
**IC601, 603: NJU7311AM**  
 Analog function switch



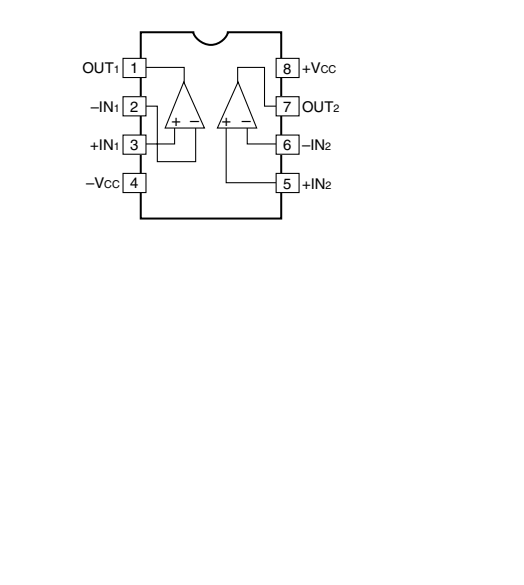
**IC602: NJU7312AM**  
 Analog function switch



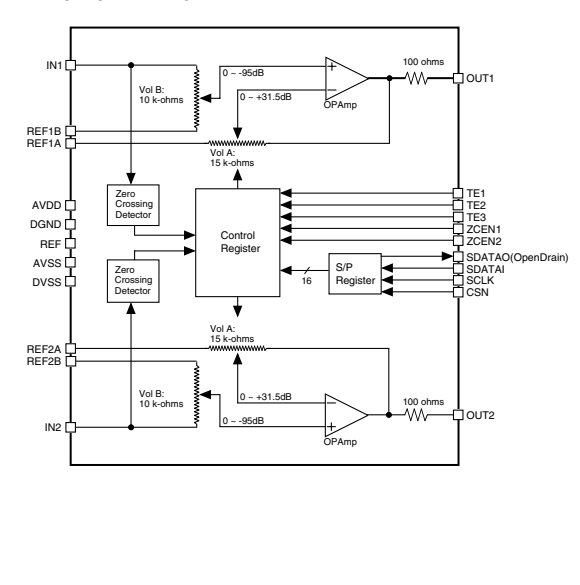
**IC604: NJU7313AM**  
 Analog function switch



**IC605-609, 613: NJM2068MD-TE2**  
 Dual OP-Amp



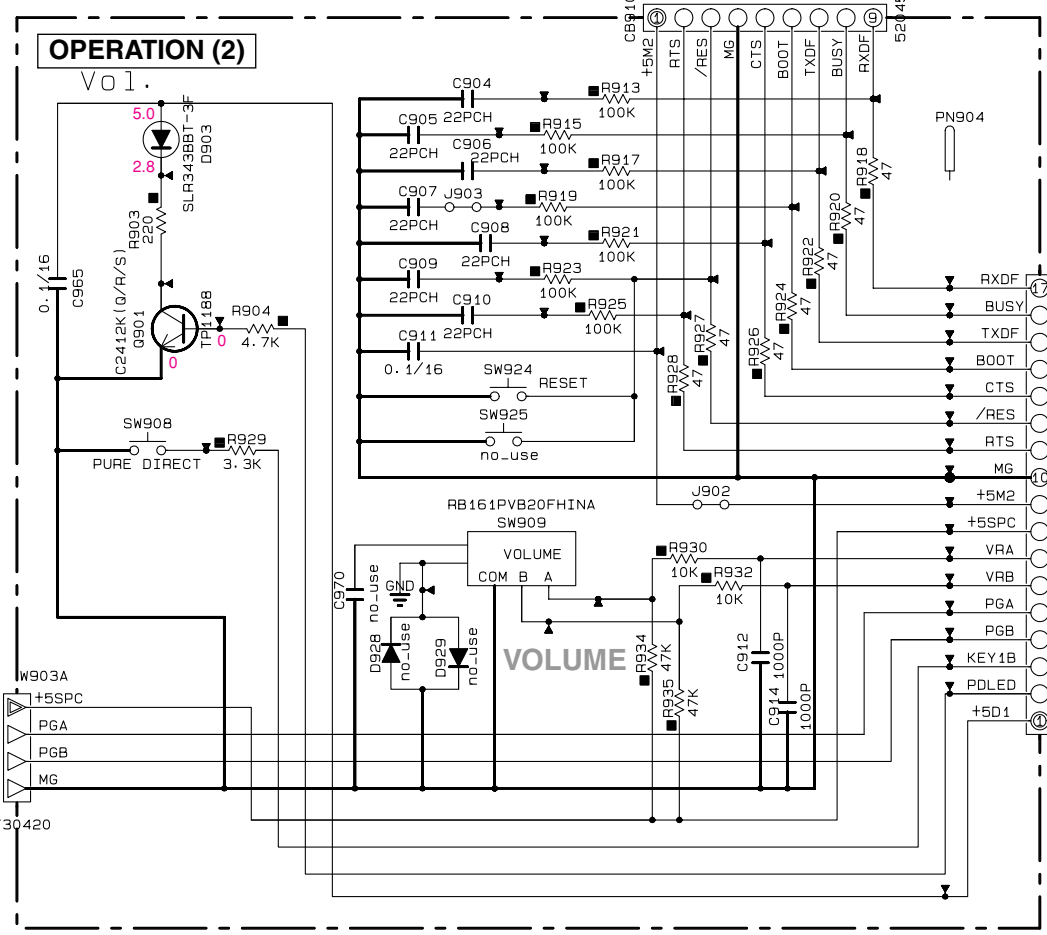
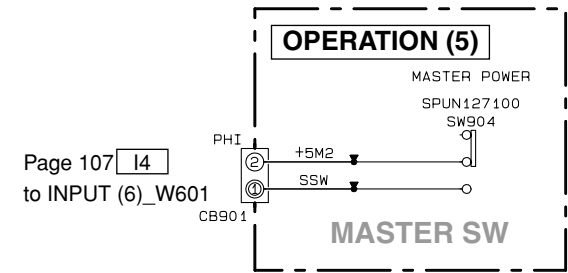
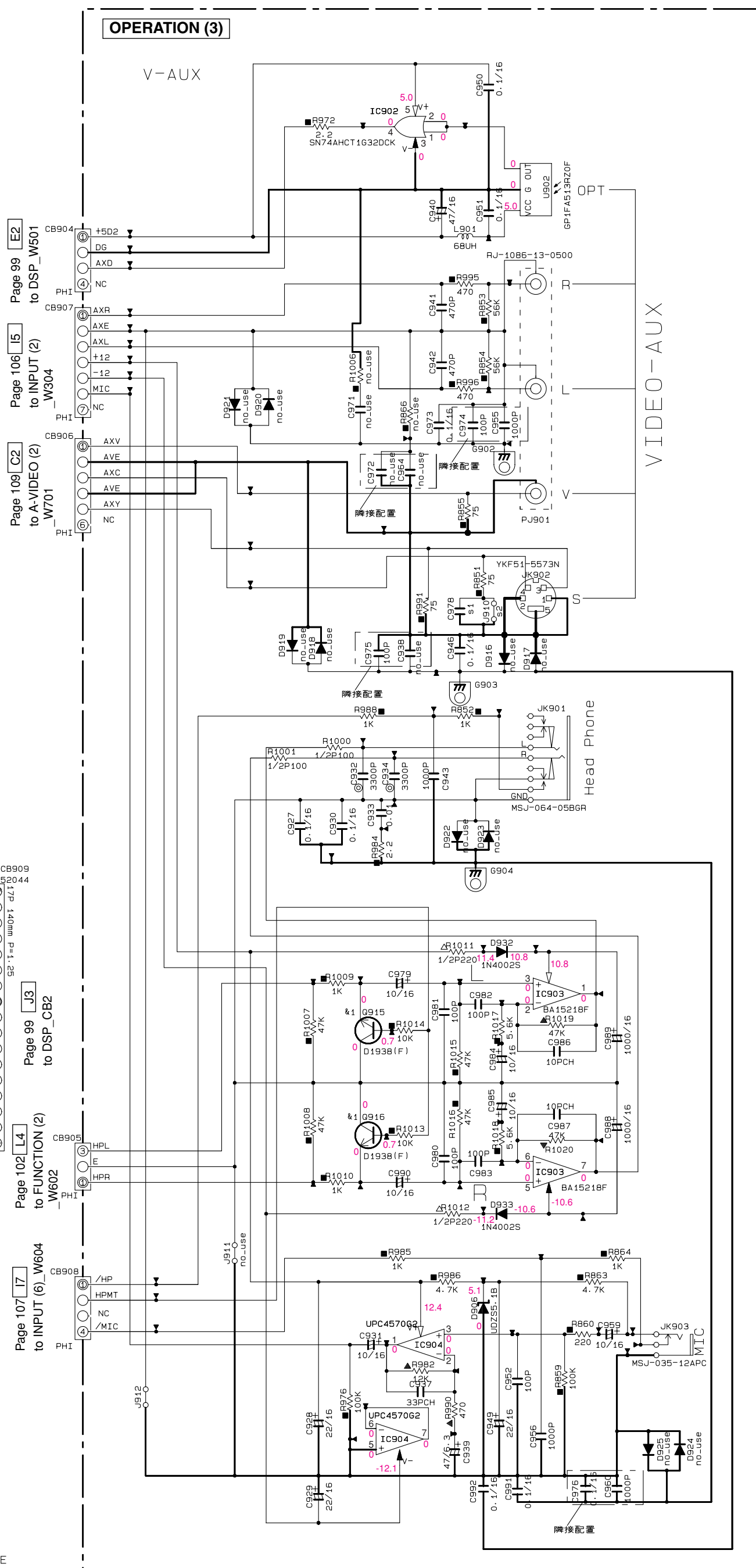
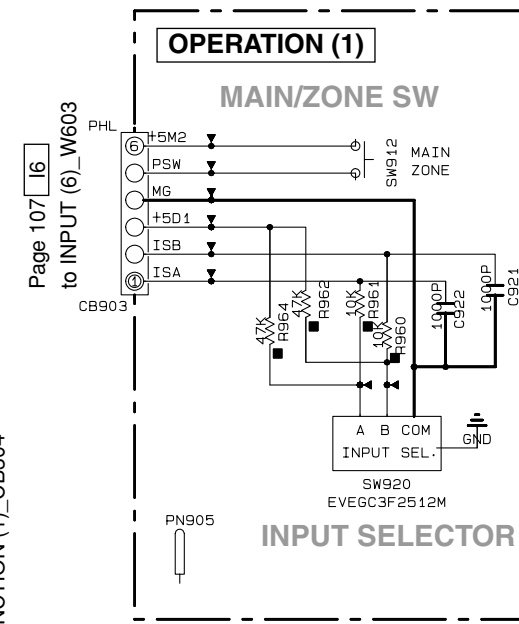
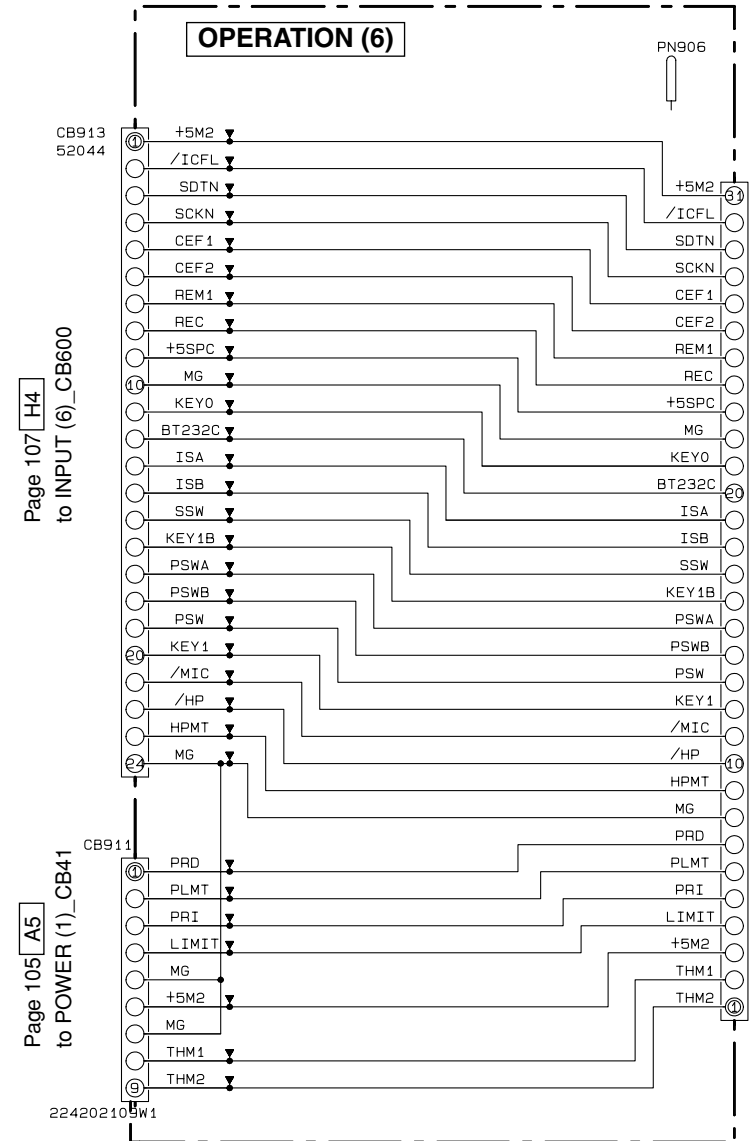
**IC610: YAC526-EZE2**  
 2ch high grade digital volume LSI



★ All voltages are measured with a 10MΩ/V DC electronic volt meter.  
 ★ Components having special characteristics are marked △ and must be replaced with parts having specifications equal to those originally installed.  
 ★ Schematic diagram is subject to change without notice.  
 ● 電圧は、内部抵抗10MΩの電圧計で測定したものです。  
 ● △印のある部品は、安全性確保部品を示しています。部品の交換が必要な場合、パーツリストに記載されている部品を使用してください。  
 ● 本回路図は標準回路図です。改良のため予告なく変更することがございます。



■ SCHEMATIC DIAGRAM (OPERATION)



Interchangeable Parts at Manufacture-Stage

Mark	Reference Parts Number	Parts Name
41	0915-916	2S019381F1 2SC33261A/B1 2SC5938A1A/B1 2S00704K

Destination Part List

sxx	LOC	JIC	RTKLABG
s1	C978	US13510	X
s2	J910	0.1/16	RD95000

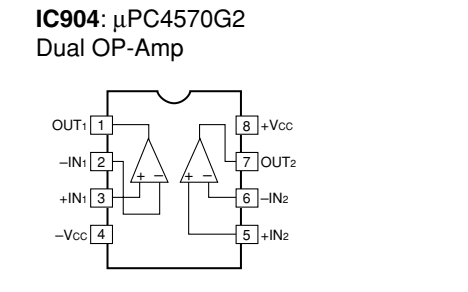
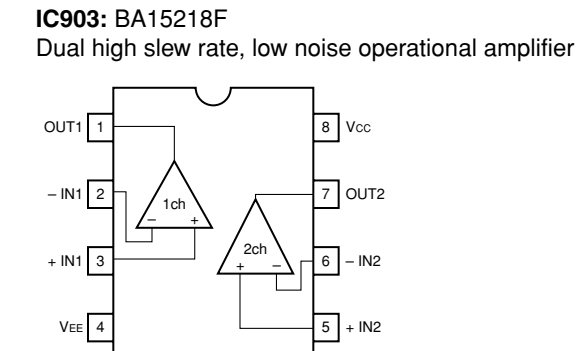
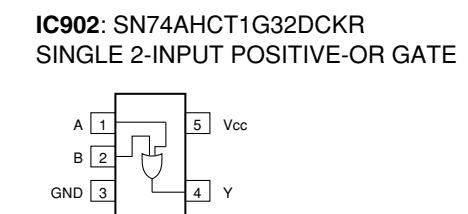
RESISTOR

REMARKS	PARTS NAME
NO MARK	CARBON FILM RESISTOR (P=5)
⊠	CARBON FILM RESISTOR (P=10)
△	METAL OXIDE FILM RESISTOR
□	METAL FILM RESISTOR
⊞	METAL PLATE RESISTOR
⊞	FIRE PROOF CARBON FILM RESISTOR
□	CEMENT MOLDED RESISTOR
⊞	SEMI VARIABLE RESISTOR
■	CHIP RESISTOR

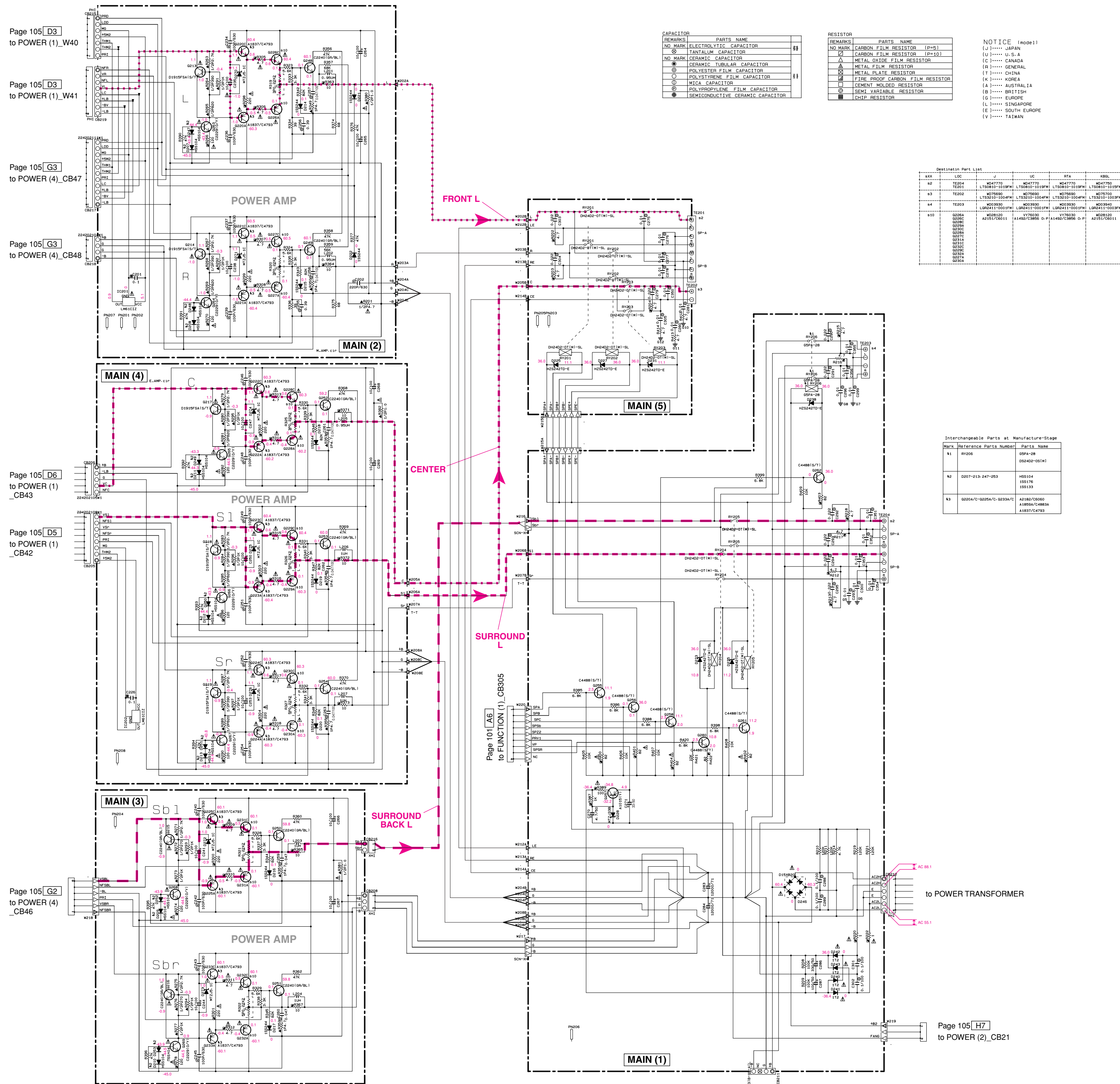
CAPACITORS

REMARKS	PARTS NAME
NO MARK	ELECTROLYTIC CAPACITOR
⊗	TANTALUM CAPACITOR
NO MARK	CERAMIC CAPACITOR
●	CERAMIC TUBULAR CAPACITOR
⊙	POLYESTER FILM CAPACITOR
○	POLYSTYRENE FILM CAPACITOR
⊖	MICA CAPACITOR
⊙	POLYPROPYLENE FILM CAPACITOR
⊙	SEMICONDUCTIVE CERAMIC CAPACITOR

NOTICE (mode1)  
 (J)..... JAPAN  
 (U)..... U.S.A  
 (C)..... CANADA  
 (R)..... GENERAL  
 (T)..... CHINA  
 (K)..... KOREA  
 (A)..... AUSTRALIA  
 (B)..... BRITISH  
 (G)..... EUROPE  
 (L)..... SINGAPORE  
 (E)..... SOUTH EUROPE  
 (V)..... TAIWAN



★ All voltages are measured with a 10MΩ/V DC electronic volt meter.  
 ● 電圧は、内部抵抗10MΩの電圧計で測定したものです。  
 ★ Components having special characteristics are marked !, and must be replaced with parts having specifications equal to those originally installed.  
 ● !印のある部品は、安全性確保部品を示しています。部品の交換が必要な場合、パーツリストに記載されている部品を使用してください。  
 ★ Schematic diagram is subject to change without notice.  
 ● 本回路図は標準回路図です。改良のため予告なく変更することがございます。

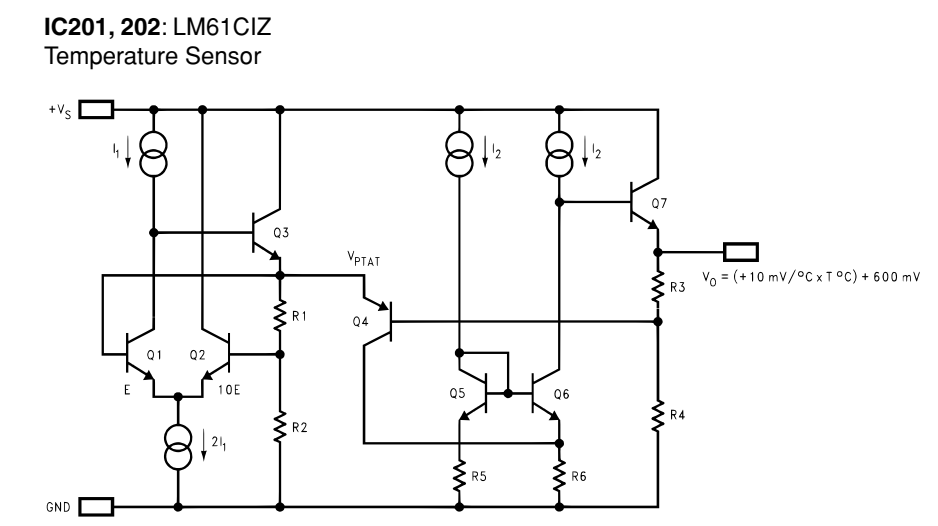


CAPACITOR		RESISTOR	
REMARKS	PARTS NAME	REMARKS	PARTS NAME
NO MARK	ELECTROLYTIC CAPACITOR	NO MARK	CARBON FILM RESISTOR (P=5)
○	FANALUM CAPACITOR	○	CARBON FILM RESISTOR (P=10)
●	CERAMIC CAPACITOR	△	METAL OXIDE FILM RESISTOR
○	CERAMIC TUBULAR CAPACITOR	△	METAL FILM RESISTOR
○	POLYESTER FILM CAPACITOR	□	METAL PLATE RESISTOR
○	POLYSTYRENE FILM CAPACITOR	□	CLIP PROOF CARBON FILM RESISTOR
○	MICA CAPACITOR	□	CEMENT MOUNTED RESISTOR
○	POLYPROPYLENE FILM CAPACITOR	□	TRIMMABLE RESISTOR
○	SEMICONDUCTIVE CERAMIC CAPACITOR	■	CHIP RESISTOR

NOTICE (FROM 1)	
(J)..... JAPAN	
(U)..... U.S.A	
(C)..... CANADA	
(R)..... GENERAL	
(T)..... CHINA	
(K)..... KOREA	
(A)..... AUSTRALIA	
(B)..... BRITISH	
(G)..... EUROPE	
(S)..... SINGAPORE	
(E)..... SOUTH EUROPE	
(V)..... TAIWAN	

DESTINATION	PART LIST	QTY	UC	RTA	VEN
K2	UC				
K3	UC				
K4	UC				
K5	UC				
K6	UC				
K7	UC				
K8	UC				
K9	UC				
K10	UC				

MARK	REFERENCE PARTS NUMBER	PARTS NAME
K1	9506-08	950608-081W
K2	0007-018-047-083	08304 08306 08313
K3	0202A/C-0202B/C-0202M/C	A202A/0202B A202M/C0202A/C A1837/C4793

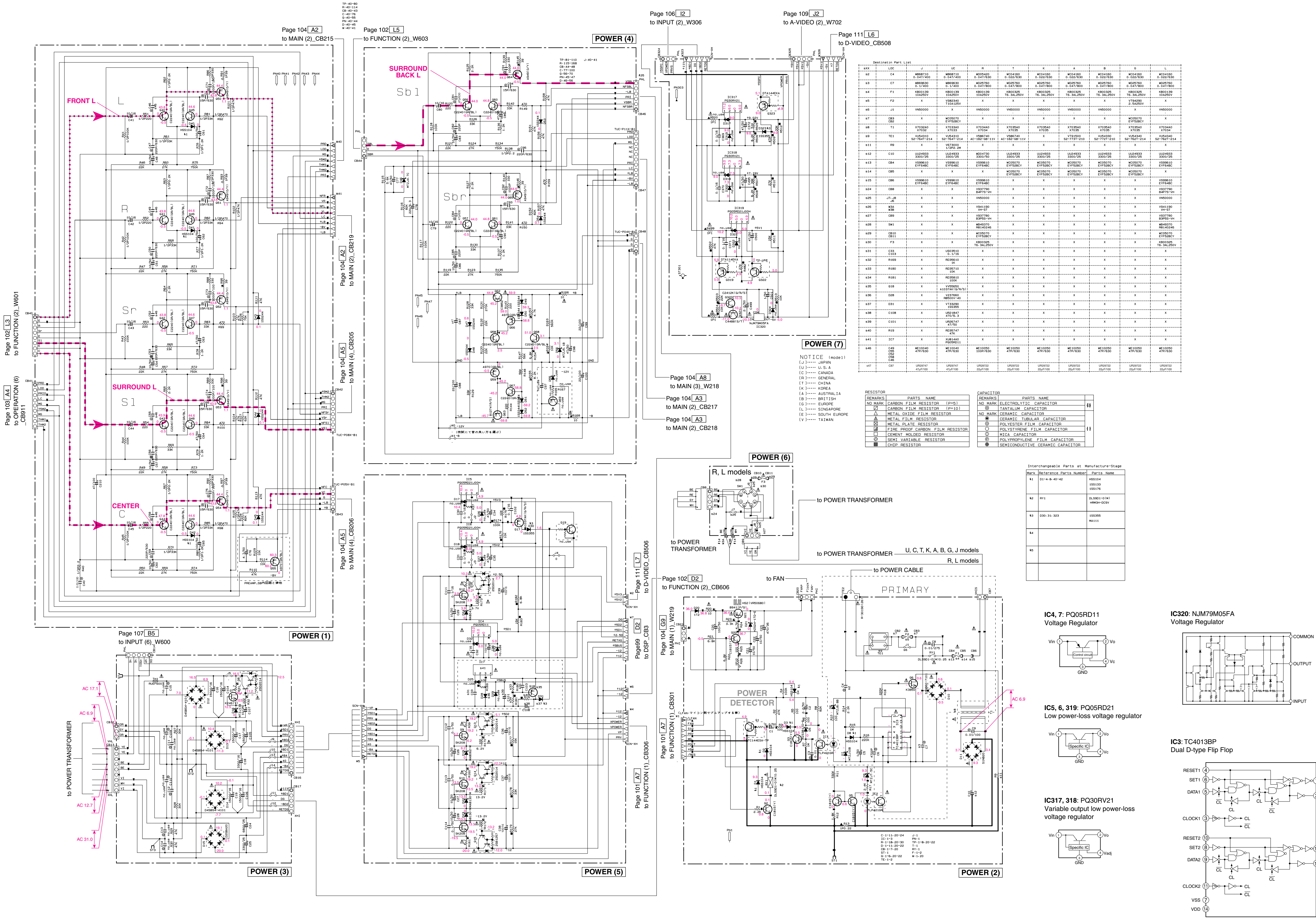


★ All voltages are measured with a 10MΩ/V DC electronic volt meter.  
 ★ Components having special characteristics are marked with a triangle and must be replaced with parts having specifications equal to those originally installed.  
 ★ Schematic diagram is subject to change without notice.

● 電圧は、内部抵抗10MΩの電圧計で測定したものです。  
 ● 印のある部品は、安全性確保部品を示しています。部品の交換が必要な場合、パーツリストに記載されている部品を使用してください。  
 ● 本回路図は標準回路図です。改良のため予告なく変更することがございます。



SCHEMATIC DIAGRAM (POWER)



Destination Part List

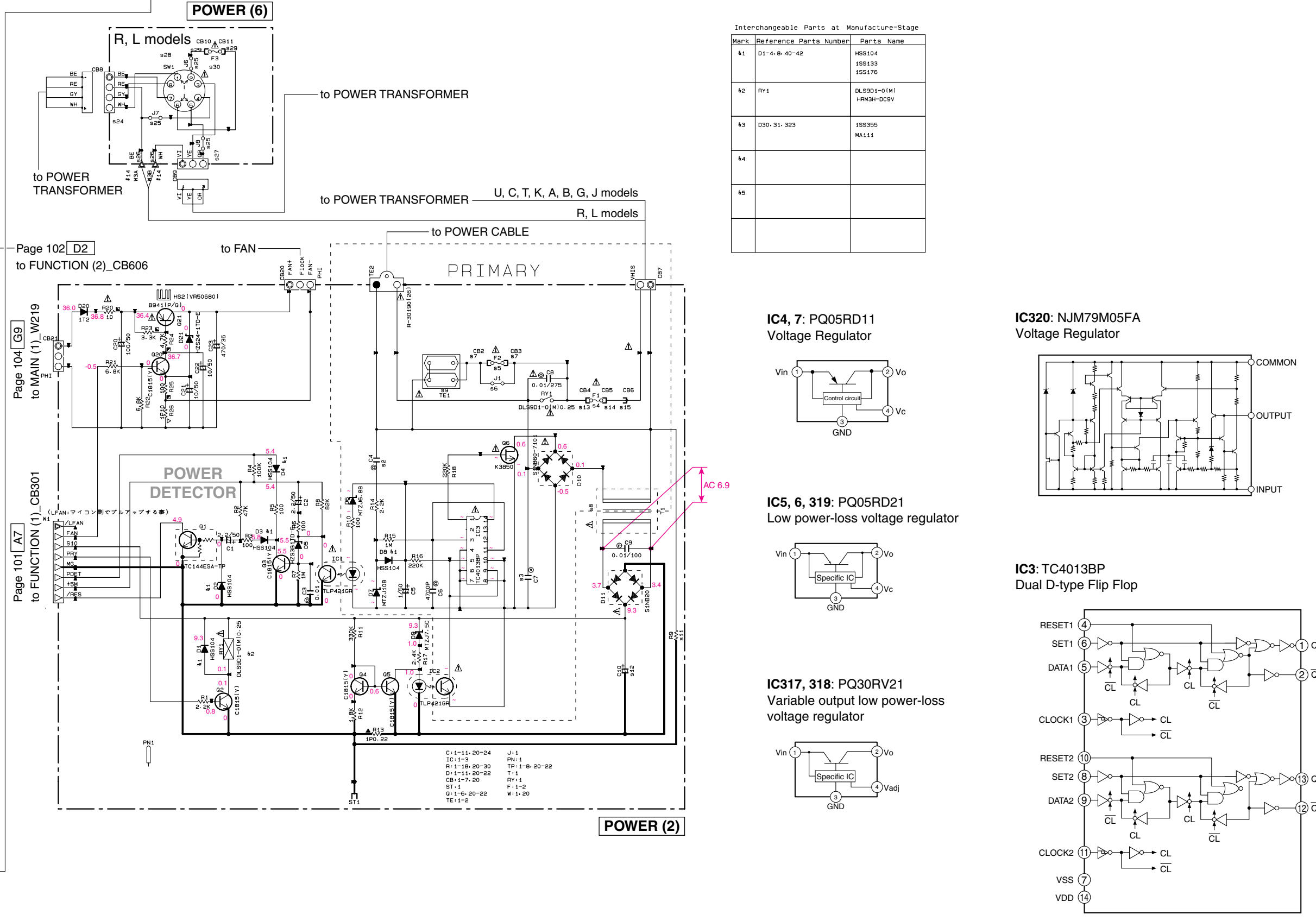
LOC	J	IC	B	T	K	A	B	G	L
82	C4	ME8710	ME8710	ME8710	ME8710	ME8710	ME8710	ME8710	ME8710
83	CF	ME8630	ME8630	ME8630	ME8630	ME8630	ME8630	ME8630	ME8630
84	F1	ME8139	ME8139	ME8139	ME8139	ME8139	ME8139	ME8139	ME8139
85	F2	ME8240	ME8240	ME8240	ME8240	ME8240	ME8240	ME8240	ME8240
86	J1	VM0000	VM0000	VM0000	VM0000	VM0000	VM0000	VM0000	VM0000
87	CB3	ME8070	ME8070	ME8070	ME8070	ME8070	ME8070	ME8070	ME8070
88	T1	X70240	X70240	X70240	X70240	X70240	X70240	X70240	X70240
89	TE1	VS2410	VS2410	VS2410	VS2410	VS2410	VS2410	VS2410	VS2410
90	TE2	VS2410	VS2410	VS2410	VS2410	VS2410	VS2410	VS2410	VS2410
91	FB	VS2410	VS2410	VS2410	VS2410	VS2410	VS2410	VS2410	VS2410
92	C10	VS3075	VS3075	VS3075	VS3075	VS3075	VS3075	VS3075	VS3075
93	CB3	VS3075	VS3075	VS3075	VS3075	VS3075	VS3075	VS3075	VS3075
94	CB5	VS3075	VS3075	VS3075	VS3075	VS3075	VS3075	VS3075	VS3075
95	CB6	VS3075	VS3075	VS3075	VS3075	VS3075	VS3075	VS3075	VS3075
96	CB8	VS3770	VS3770	VS3770	VS3770	VS3770	VS3770	VS3770	VS3770
97	J7_08	VM0000	VM0000	VM0000	VM0000	VM0000	VM0000	VM0000	VM0000
98	W14	VM4130	VM4130	VM4130	VM4130	VM4130	VM4130	VM4130	VM4130
99	W15	VM4130	VM4130	VM4130	VM4130	VM4130	VM4130	VM4130	VM4130
100	W16	VM4130	VM4130	VM4130	VM4130	VM4130	VM4130	VM4130	VM4130
101	W17	VM4130	VM4130	VM4130	VM4130	VM4130	VM4130	VM4130	VM4130
102	W18	VM4130	VM4130	VM4130	VM4130	VM4130	VM4130	VM4130	VM4130
103	W19	VM4130	VM4130	VM4130	VM4130	VM4130	VM4130	VM4130	VM4130
104	W20	VM4130	VM4130	VM4130	VM4130	VM4130	VM4130	VM4130	VM4130
105	W21	VM4130	VM4130	VM4130	VM4130	VM4130	VM4130	VM4130	VM4130
106	W22	VM4130	VM4130	VM4130	VM4130	VM4130	VM4130	VM4130	VM4130
107	W23	VM4130	VM4130	VM4130	VM4130	VM4130	VM4130	VM4130	VM4130
108	W24	VM4130	VM4130	VM4130	VM4130	VM4130	VM4130	VM4130	VM4130
109	W25	VM4130	VM4130	VM4130	VM4130	VM4130	VM4130	VM4130	VM4130
110	W26	VM4130	VM4130	VM4130	VM4130	VM4130	VM4130	VM4130	VM4130
111	W27	VM4130	VM4130	VM4130	VM4130	VM4130	VM4130	VM4130	VM4130
112	W28	VM4130	VM4130	VM4130	VM4130	VM4130	VM4130	VM4130	VM4130
113	W29	VM4130	VM4130	VM4130	VM4130	VM4130	VM4130	VM4130	VM4130
114	W30	VM4130	VM4130	VM4130	VM4130	VM4130	VM4130	VM4130	VM4130
115	W31	VM4130	VM4130	VM4130	VM4130	VM4130	VM4130	VM4130	VM4130
116	W32	VM4130	VM4130	VM4130	VM4130	VM4130	VM4130	VM4130	VM4130
117	W33	VM4130	VM4130	VM4130	VM4130	VM4130	VM4130	VM4130	VM4130
118	W34	VM4130	VM4130	VM4130	VM4130	VM4130	VM4130	VM4130	VM4130
119	W35	VM4130	VM4130	VM4130	VM4130	VM4130	VM4130	VM4130	VM4130
120	W36	VM4130	VM4130	VM4130	VM4130	VM4130	VM4130	VM4130	VM4130
121	W37	VM4130	VM4130	VM4130	VM4130	VM4130	VM4130	VM4130	VM4130
122	W38	VM4130	VM4130	VM4130	VM4130	VM4130	VM4130	VM4130	VM4130
123	W39	VM4130	VM4130	VM4130	VM4130	VM4130	VM4130	VM4130	VM4130
124	W40	VM4130	VM4130	VM4130	VM4130	VM4130	VM4130	VM4130	VM4130
125	W41	VM4130	VM4130	VM4130	VM4130	VM4130	VM4130	VM4130	VM4130
126	W42	VM4130	VM4130	VM4130	VM4130	VM4130	VM4130	VM4130	VM4130
127	W43	VM4130	VM4130	VM4130	VM4130	VM4130	VM4130	VM4130	VM4130
128	W44	VM4130	VM4130	VM4130	VM4130	VM4130	VM4130	VM4130	VM4130
129	W45	VM4130	VM4130	VM4130	VM4130	VM4130	VM4130	VM4130	VM4130
130	W46	VM4130	VM4130	VM4130	VM4130	VM4130	VM4130	VM4130	VM4130
131	W47	VM4130	VM4130	VM4130	VM4130	VM4130	VM4130	VM4130	VM4130
132	W48	VM4130	VM4130	VM4130	VM4130	VM4130	VM4130	VM4130	VM4130
133	W49	VM4130	VM4130	VM4130	VM4130	VM4130	VM4130	VM4130	VM4130
134	W50	VM4130	VM4130	VM4130	VM4130	VM4130	VM4130	VM4130	VM4130
135	W51	VM4130	VM4130	VM4130	VM4130	VM4130	VM4130	VM4130	VM4130
136	W52	VM4130	VM4130	VM4130	VM4130	VM4130	VM4130	VM4130	VM4130
137	W53	VM4130	VM4130	VM4130	VM4130	VM4130	VM4130	VM4130	VM4130
138	W54	VM4130	VM4130	VM4130	VM4130	VM4130	VM4130	VM4130	VM4130
139	W55	VM4130	VM4130	VM4130	VM4130	VM4130	VM4130	VM4130	VM4130
140	W56	VM4130	VM4130	VM4130	VM4130	VM4130	VM4130	VM4130	VM4130
141	W57	VM4130	VM4130	VM4130	VM4130	VM4130	VM4130	VM4130	VM4130
142	W58	VM4130	VM4130	VM4130	VM4130	VM4130	VM4130	VM4130	VM4130
143	W59	VM4130	VM4130	VM4130	VM4130	VM4130	VM4130	VM4130	VM4130
144	W60	VM4130	VM4130	VM4130	VM4130	VM4130	VM4130	VM4130	VM4130
145	W61	VM4130	VM4130	VM4130	VM4130	VM4130	VM4130	VM4130	VM4130
146	W62	VM4130	VM4130	VM4130	VM4130	VM4130	VM4130	VM4130	VM4130
147	W63	VM4130	VM4130	VM4130	VM4130	VM4130	VM4130	VM4130	VM4130

RESISTOR PARTS NAME

NO. MARK	CARBON FILM RESISTOR (P=5)	NO. MARK	ELECTROLYTIC CAPACITOR
□	CARBON FILM RESISTOR (P=10)	□	TANTALUM CAPACITOR
△	METAL OXIDE FILM RESISTOR	□	CERAMIC CAPACITOR
○	METAL FILM RESISTOR	□	CERAMIC TUBULAR CAPACITOR
◇	FINE PORE CARBON FILM RESISTOR	□	POLYESTER FILM CAPACITOR
◇	CEMENT MOLDED RESISTOR	□	POLYSTYRENE FILM CAPACITOR
◇	SEM. VARIABLE RESISTOR	□	MICA CAPACITOR
◇	CHIP RESISTOR	□	POLYPROPYLENE FILM CAPACITOR
◇		□	SEMICONDUCTIVE CERAMIC CAPACITOR

Interchangeable Parts at Manufacture-Stage

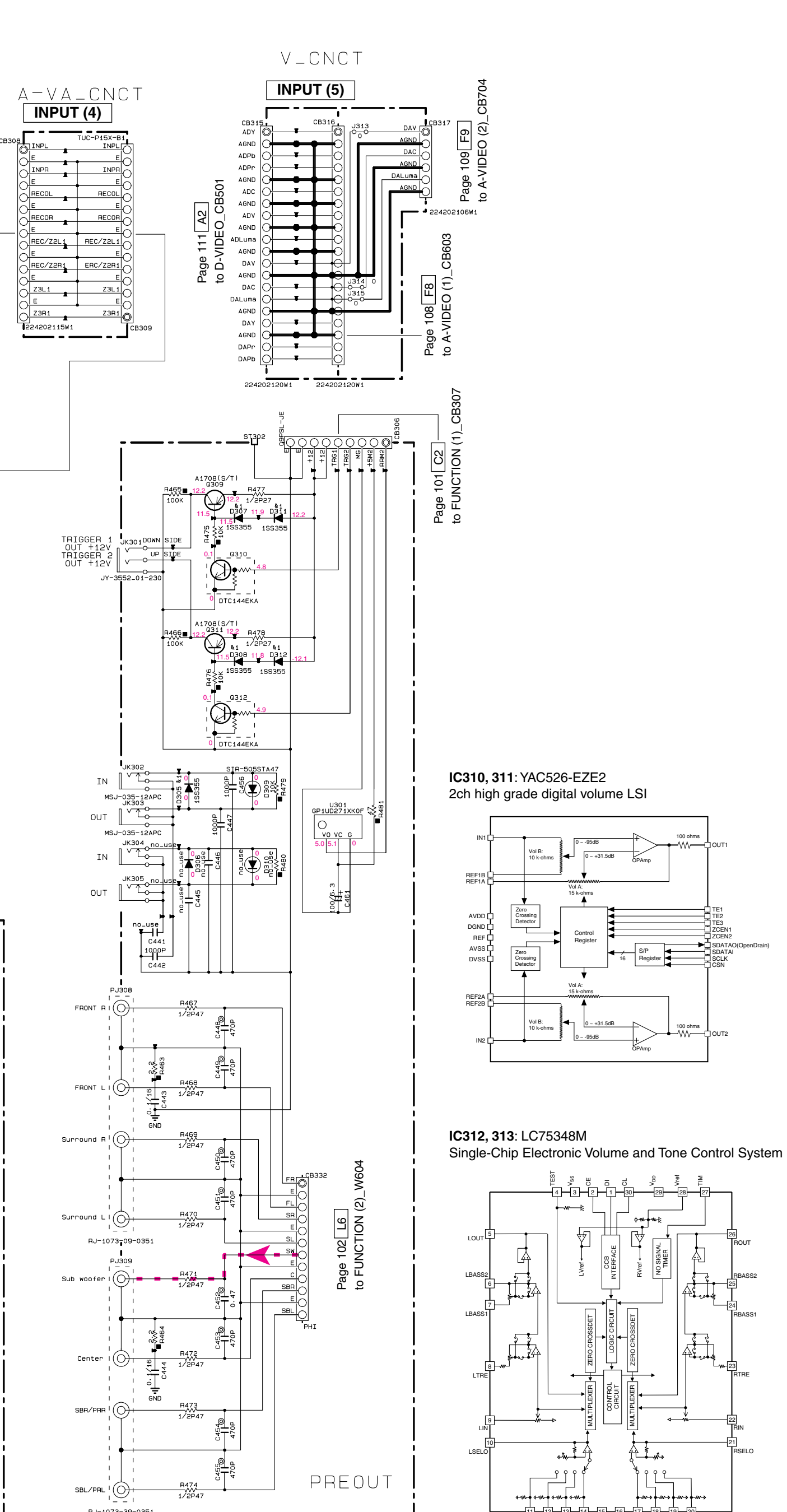
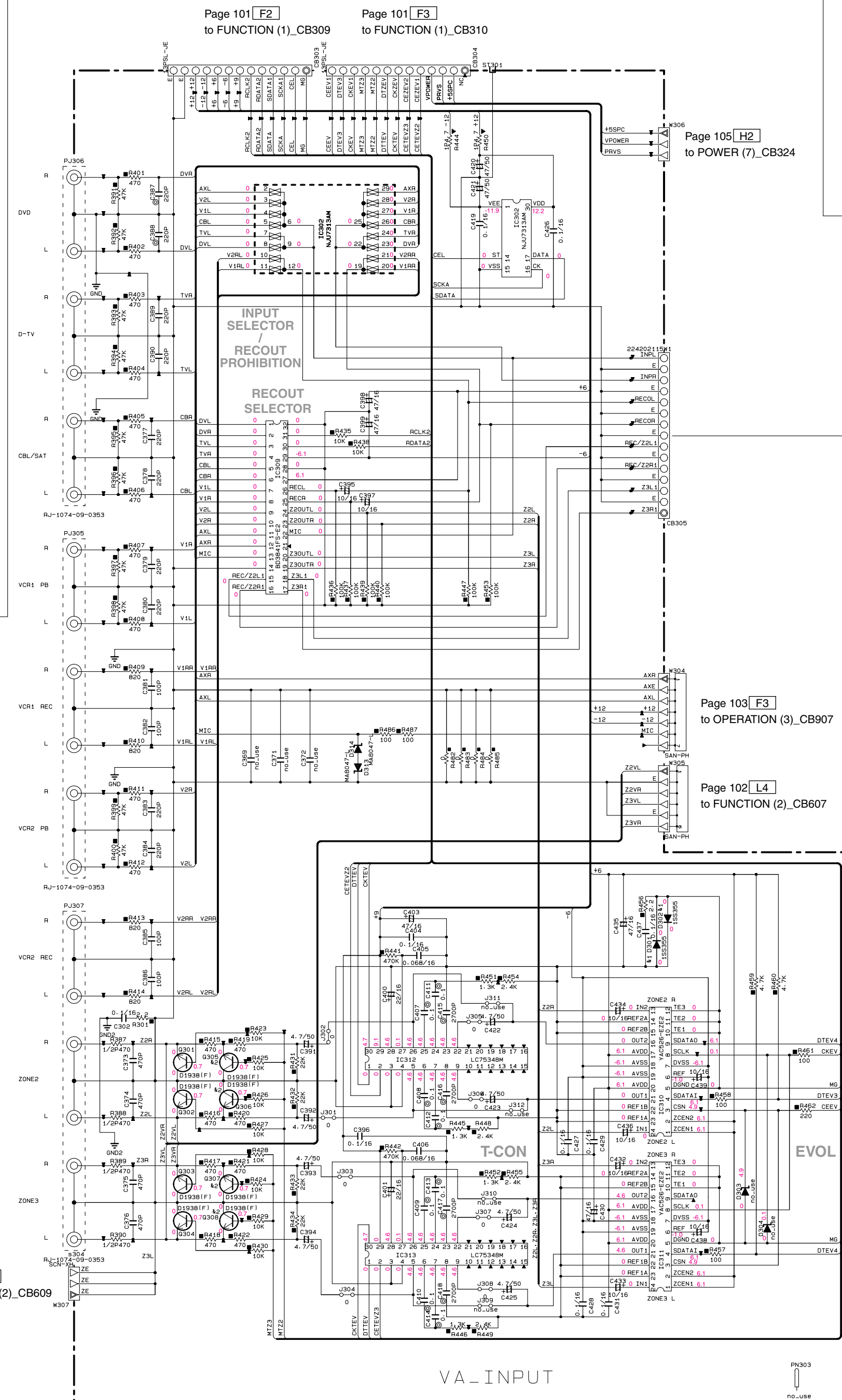
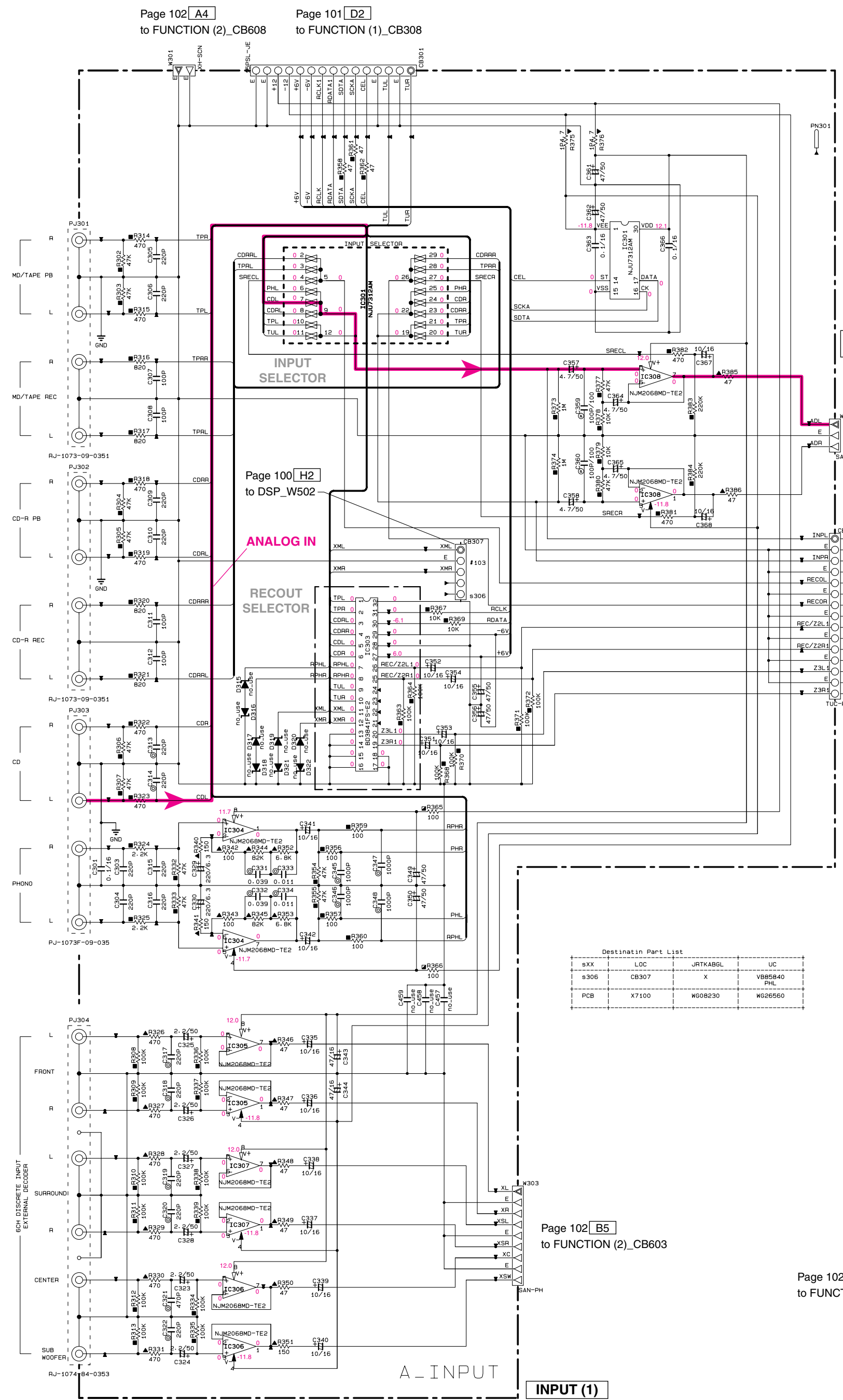
Mark	Reference Parts Number	Parts Name
84	D1+8-8-40-42	880344
		155133
		155176
82	RV1	DL3901-01W
		VM0000-02V
83	D30-31-323	153355
		46111
84		
85		



\* All voltages are measured with a 10MΩ/V DC electronic volt meter.  
 \* Components having special characteristics are marked !, and must be replaced with parts having specifications equal to those originally installed.  
 \* Schematic diagram is subject to change without notice.

● 電圧は、内部抵抗10MΩの電圧計で測定したものです。  
 ● !印のある部品は、安全性確保部品を示しています。部品の交換が必要な場合、パーツリストに記載されている部品を使用してください。  
 ● 本回路図は標準回路図です。改良のため予告なく変更することがございます。





NOTICE (model)

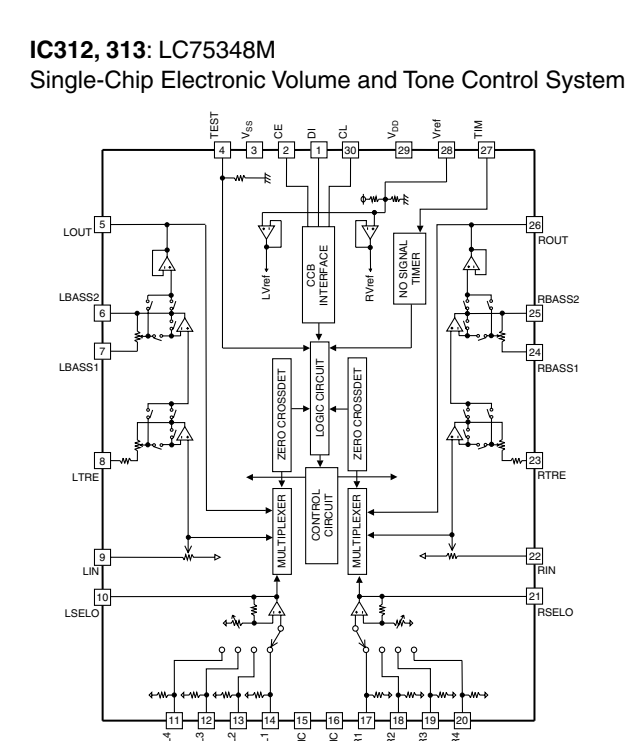
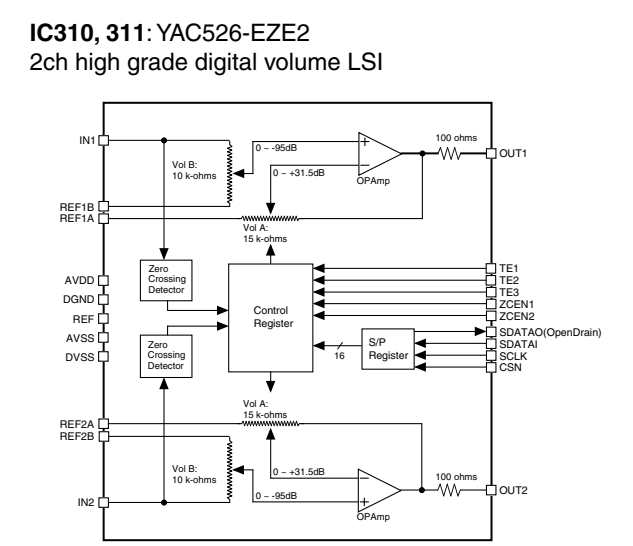
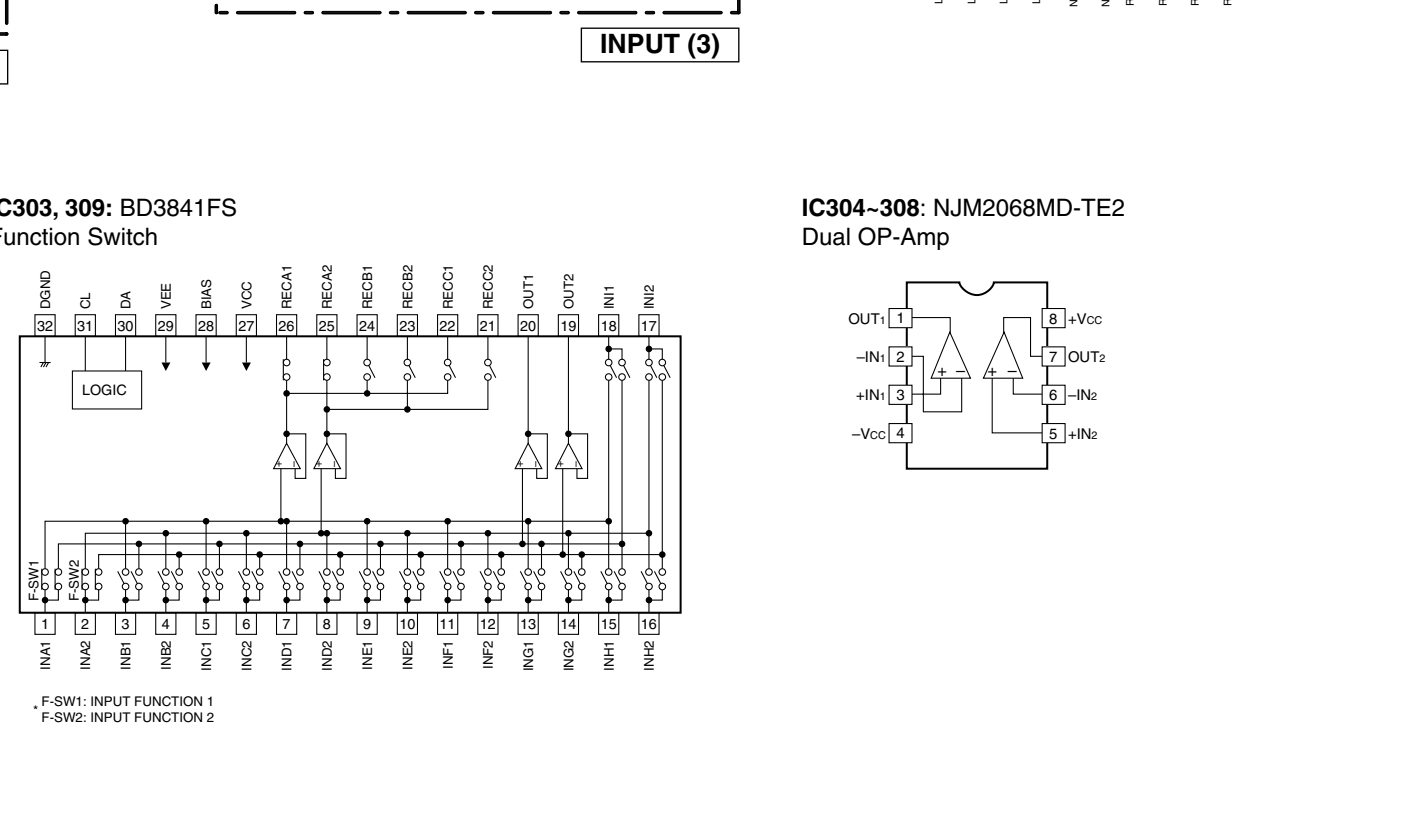
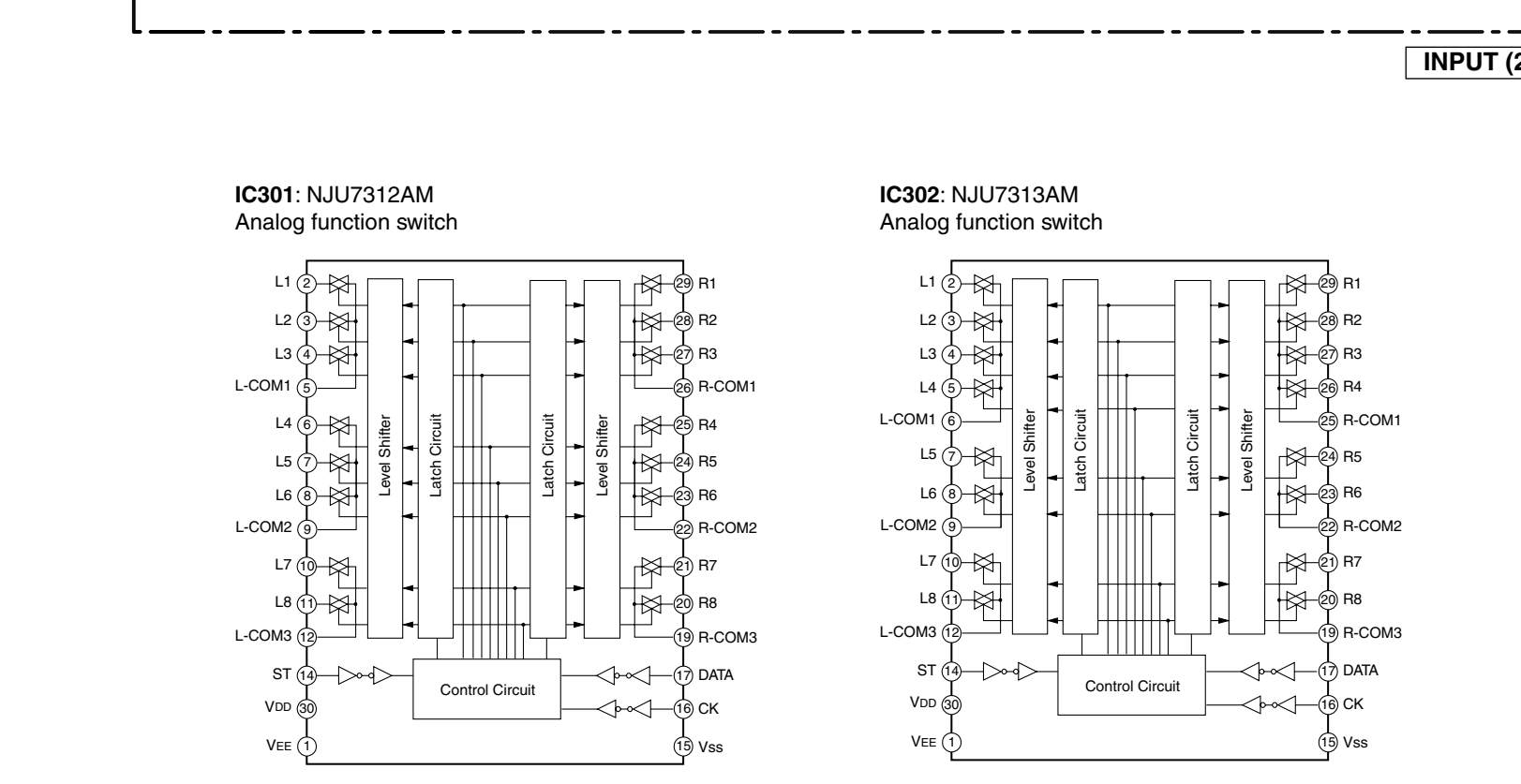
(J)..... JAPAN  
 (U)..... U.S.A  
 (C)..... CANADA  
 (R)..... GENERAL  
 (T)..... CHINA  
 (K)..... KOREA  
 (A)..... AUSTRALIA  
 (B)..... BRITISH  
 (G)..... EUROPE  
 (L)..... SINGAPORE  
 (E)..... SOUTH EUROPE  
 (V)..... TAIWAN

REMARKS	PARTS NAME
NO MARK	ELECTROLYTIC CAPACITOR
◎	TANTALUM CAPACITOR
NO MARK	CERAMIC CAPACITOR
◎	CERAMIC TUBULAR CAPACITOR
◎	POLYESTER FILM CAPACITOR
◎	POLYSTYRENE FILM CAPACITOR
◎	MICA CAPACITOR
◎	POLYPROPYLENE FILM CAPACITOR
◎	SEMICONDUCTIVE CERAMIC CAPACITOR
◎	POLYPHENYLENE SULFIDE FILM CAPACITOR

REMARKS	PARTS NAME
NO MARK	CARBON FILM RESISTOR (P=5)
□	CARBON FILM RESISTOR (P=10)
△	METAL OXIDE FILM RESISTOR
△	METAL FILM RESISTOR
△	METAL PLATE RESISTOR
△	FINE PROOF CARBON FILM RESISTOR
□	CEMENT MOLDED RESISTOR
□	SEMI VARIABLE RESISTOR
■	CHIP RESISTOR

Interchangeable Parts at Manufacture-Stage

Max	Reference Parts Number	Parts Name
k1	0301-302-305-307-308	155355
k2	311-312-606-611-616	M411
k3	0305-306-307-308	2001830(F) 2001831(F) 2001832(F)
k4		
k5		



★ All voltages are measured with a 10MΩ/V DC electronic volt meter.  
 ★ Components having special characteristics are marked with a triangle and must be replaced with parts having specifications equal to those originally installed.  
 ★ Schematic diagram is subject to change without notice.

● 電圧は、内部抵抗10MΩの電圧計で測定したものです。  
 ● 印のある部品は、安全性確保部品を示しています。部品の交換が必要な場合、パーツリストに記載されている部品を使用してください。  
 ● 本回路図は標準回路図です。改良のため予告なく変更することがございます。

Page 105 [B7] to POWER (3)\_CB14

INPUT (6)

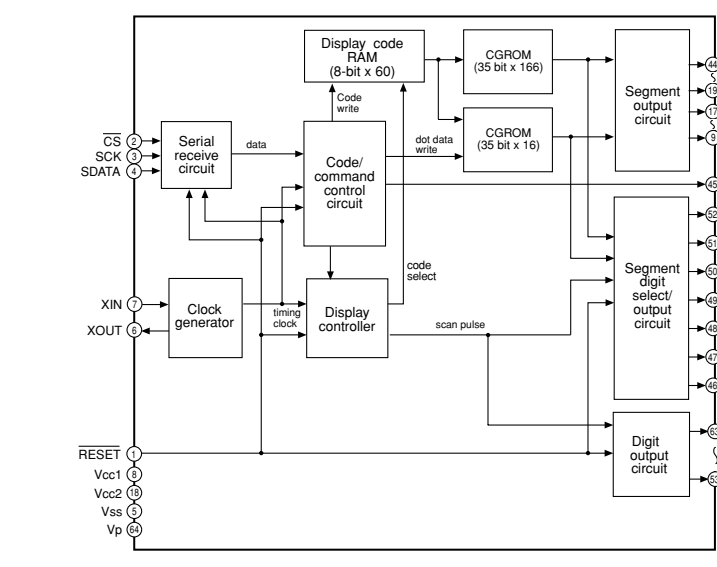
Page 103 [A2] to OPERATION (6)\_CB913

Page 103 [B5] to OPERATION (5)\_CB901

Page 103 [D2] to OPERATION (1)\_CB903

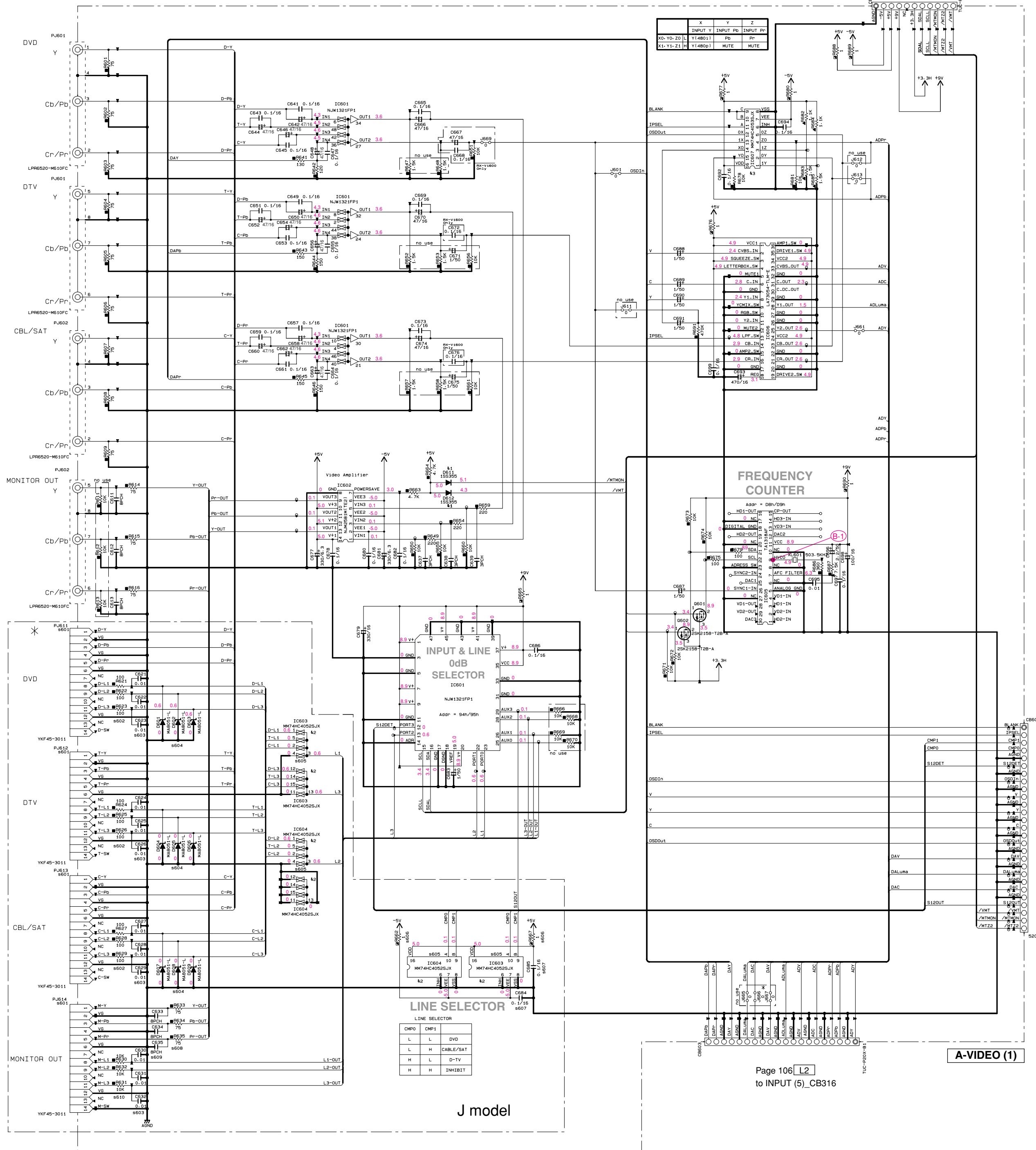
Page 103 [F7] to OPERATION (3)\_CB908

IC600, 601: M66003-0131FP FL Display Driver



★ All voltages are measured with a 10MΩ/V DC electronic volt meter.  
 ★ Components having special characteristics are marked !, and must be replaced with parts having specifications equal to those originally installed.  
 ★ Schematic diagram is subject to change without notice.  
 ● 電圧は、内部抵抗10MΩの電圧計で測定したものです。  
 ● !印のある部品は、安全性確保部品を示しています。部品の交換が必要な場合、パーツリストに記載されている部品を使用してください。  
 ● 本回路図は標準回路図です。改良のため予告なく変更することがございます。





**RESISTOR**

REMARKS	PARTS NAME
NO MARK	CARBON FILM RESISTOR (P=5)
□	CARBON FILM RESISTOR (P=10)
△	METAL OXIDE FILM RESISTOR
◇	METAL FILM RESISTOR
○	GENERAL
( )	CHINA
( K )	KOREA
( A )	AUSTRALIA
( B )	BRITISH
( G )	EUROPE
( L )	SINGAPORE
( E )	SOUTH EUROPE
( V )	TAIWAN

**CAPACITOR**

REMARKS	PARTS NAME
NO MARK	ELECTROLYTIC CAPACITOR
⊖	TANTALUM CAPACITOR
NO MARK	CERAMIC CAPACITOR
⊕	CERAMIC TUBULAR CAPACITOR
⊙	POLYESTER FILM CAPACITOR
⊖	POLYETHYLENE FILM CAPACITOR
⊕	MICA CAPACITOR
⊙	POLYPROPYLENE FILM CAPACITOR
⊖	SEMICONDUCTIVE CERAMIC CAPACITOR
⊕	POLYPHENYLENE SULFIDE FILM CAPACITOR

**Destination Part List**

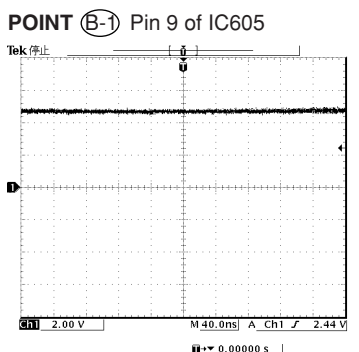
XXXX	LOC	QTY	UIC	R/W	T.A.B.S.L
8601	R401	1	W49P-3011	X	X
8602	R402	1	R09610	X	X
8603	C401	1	U00610	X	X
8604	R403	1	V09650	X	X
8605	C402	1	V09640	X	X
8606	R404	1	W49P-3011	X	X
8607	R405	1	U00610	X	X
8608	R406	1	R09610	X	X
8609	C403	1	U00610	X	X
8610	R407	1	W49P-3011	X	X

**Interchangeable Parts at Manufacture Stage**

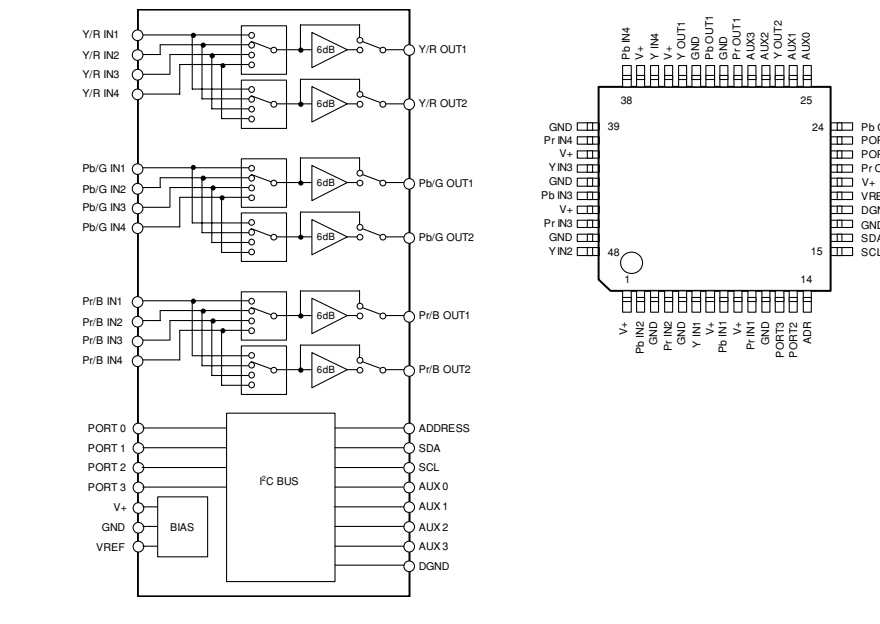
Part No.	Reference Parts Number	Parts Name
81	0811-610-706-771-774	LS0955
82	10060-804	MM74HC4053LJ
83	10061-706-716	MM74HC4053LJ
84	10701-703	MM74HC4053LJ
85	10712	TA1318AF
86	10713	TA1318AF

Page 109 [G9]  
 to A-VIDEO (2)\_CB703

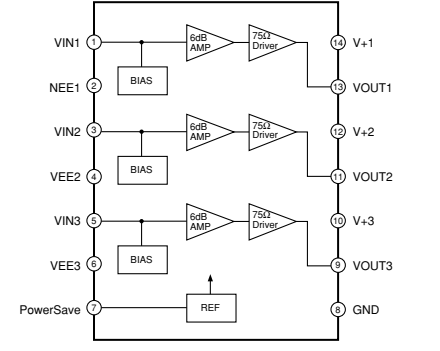
Page 106 [L2]  
 to INPUT (5)\_CB316



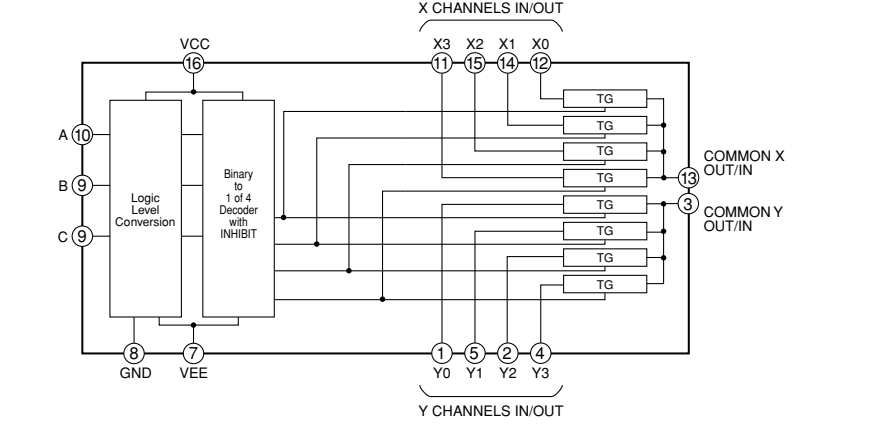
**IC601: NJW1321FP1**  
 Wide Band Video Switch with I<sup>2</sup>C BUS



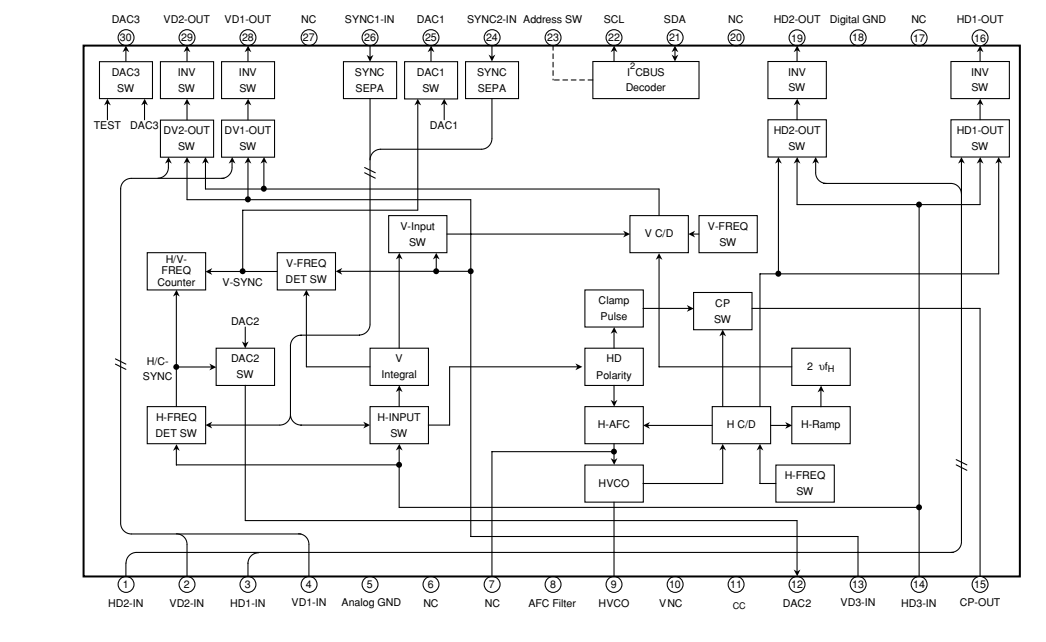
**IC602: NJM2581M**  
 Video Amp



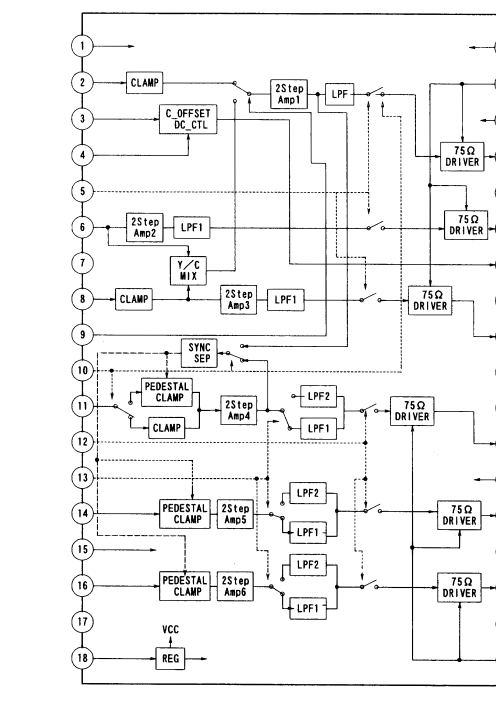
**IC603, 604: MM74HC4052SJX**  
 Dual 4-Channel Analog Multiplexer



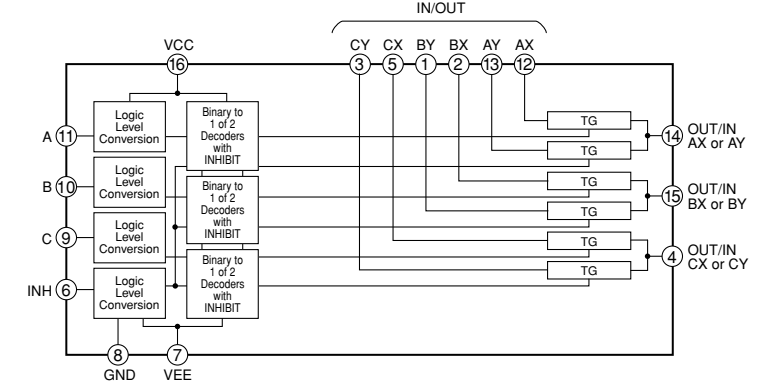
**IC605: TA1318AF**  
 SYNC Processor, Frequency Counter IC for TV Component Signals



**IC606: LA73054-TLM-E**  
 Analog Amp



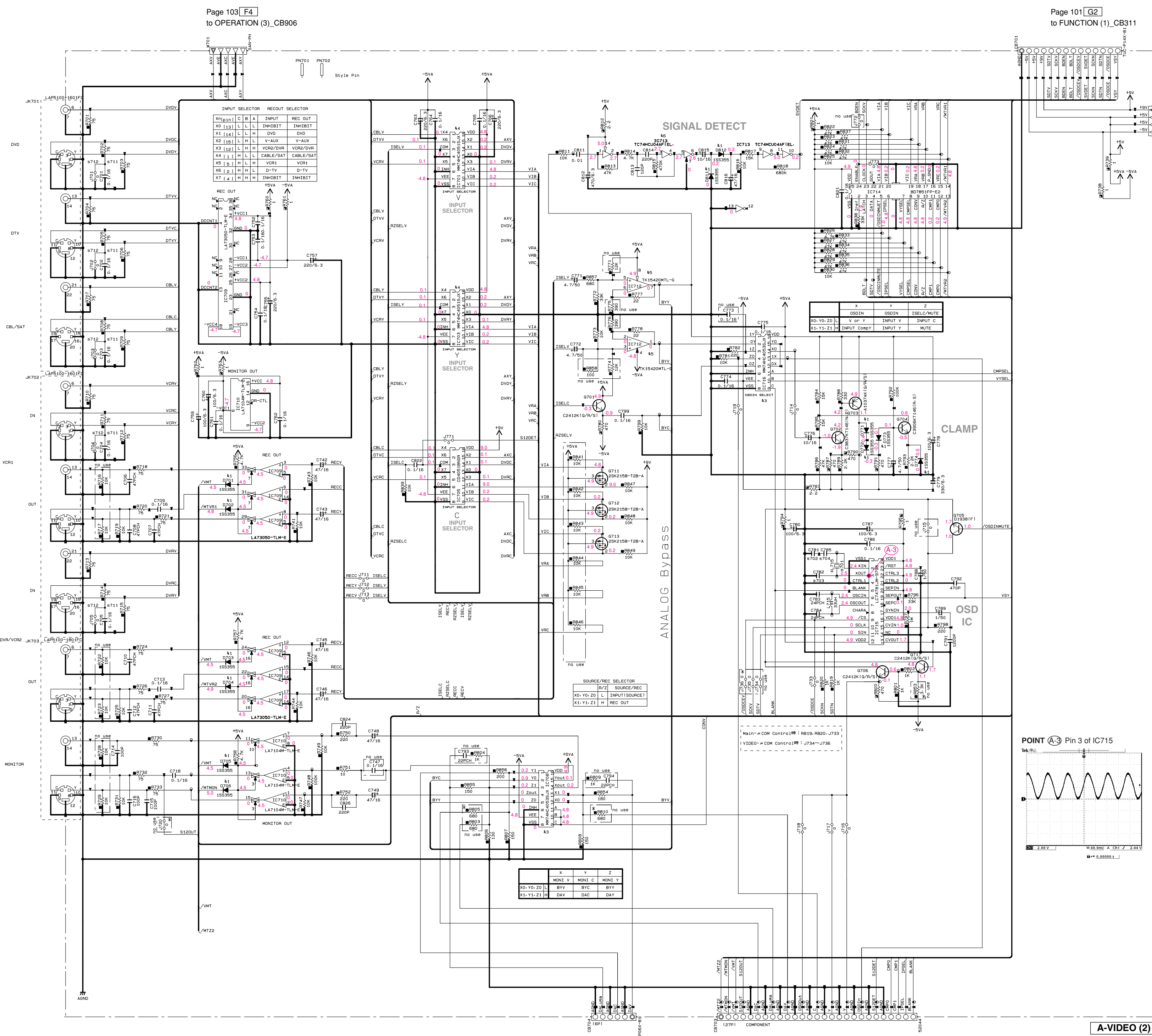
**IC607: MM74HC4053SJX**  
 Triple 2-Channel Analog Multiplexer



★ All voltages are measured with a 10MΩ/V DC electronic volt meter.  
 ● Components having special characteristics are marked ▲, and must be replaced with parts having specifications equal to those originally installed.  
 ★ Schematic diagram is subject to change without notice.

● 電圧は、内部抵抗10MΩの電圧計で測定したものです。  
 ● ▲印のある部品は、安全性確保部品を示しています。部品の交換が必要な場合、パーツリストに記載されている部品を使用してください。  
 ● 本回路図は標準回路図です。改良のため予告なく変更することがございます。





Page 101 [G2] to FUNCTION (1)\_CB311

Page 103 [F4] to OPERATION (3)\_CB906

Page 106 [L2] to INPUT (5)\_CB317

Page 108 [H7] to A-VIDEO (1)\_CB602

RESISTOR

REMARKS	PARTS NAME
NO MARK	CARBON FILM RESISTOR (P=5)
(J)	CARBON FILM RESISTOR (P=10)
(U)	METAL OXIDE FILM RESISTOR
(A)	METAL FILM RESISTOR
(F)	FIRE PROOF CARBON FILM RESISTOR
(R)	GENERAL
(1)	CHINA
(K)	KOREA
(A)	AUSTRALIA
(B)	BRITISH
(G)	EUROPE
(L)	SINGAPORE
(E)	SOUTH EUROPE
(V)	TAIWAN

CAPACITOR

REMARKS	PARTS NAME
NO MARK	ELECTROLYTIC CAPACITOR
NO MARK	TANTALUM CAPACITOR
NO MARK	CERAMIC CAPACITOR
(C)	CERAMIC TUBULAR CAPACITOR
(P)	POLYESTER FILM CAPACITOR
(S)	POLYSTYRENE FILM CAPACITOR
(M)	MICA CAPACITOR
(P)	POLYPROPYLENE FILM CAPACITOR
(S)	SEMICONDUCTIVE CERAMIC CAPACITOR
(S)	POLYPHENYLENE SULFIDE FILM CAPACITOR

NOTICE (mode 1)

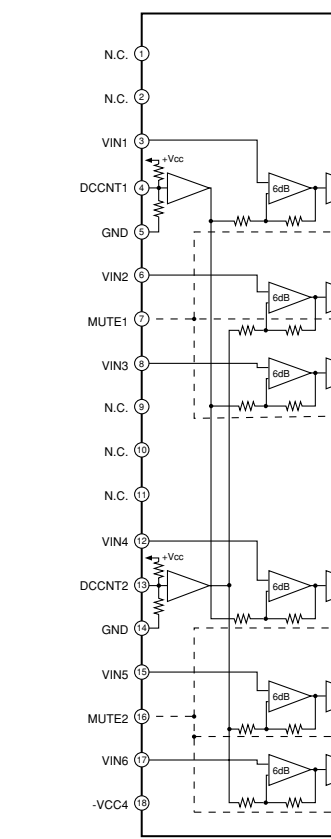
(J)..... JAPAN  
 (U)..... U.S.A.  
 (C)..... CANADA  
 (R)..... GENERAL  
 (1)..... CHINA  
 (K)..... KOREA  
 (A)..... AUSTRALIA  
 (B)..... BRITISH  
 (G)..... EUROPE  
 (L)..... SINGAPORE  
 (E)..... SOUTH EUROPE  
 (V)..... TAIWAN

Page 105 [L2] to POWER (7)\_CB325

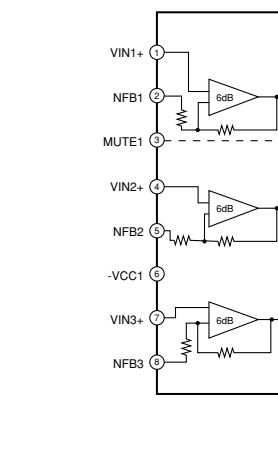
Destination Part List

MARK	LOC	J	U	K	T.A	R.S.L
S701	R715	W08140	W08140	W08140	14.31818Hz	14.31818Hz
S702	C781	US06030	US06030	US06030	SPCH	X
S703	C782	US06030	US06030	US06030	SPCH	X
S704	C785	US06030	US06030	US06030	SPCH	X
S711	C763	US19510	US19510	US19510	0.1/16	X
S712	C764	US19510	US19510	US19510	0.1/16	X

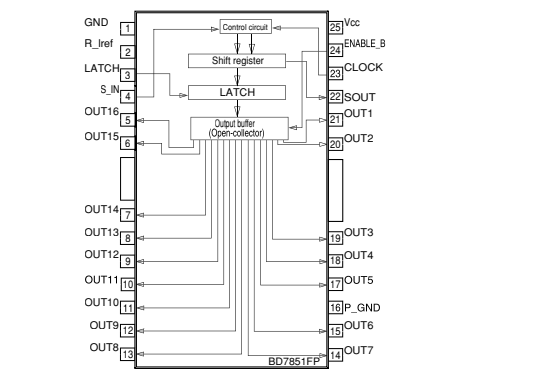
IC709: LA73050-TLM-E Analog Amp



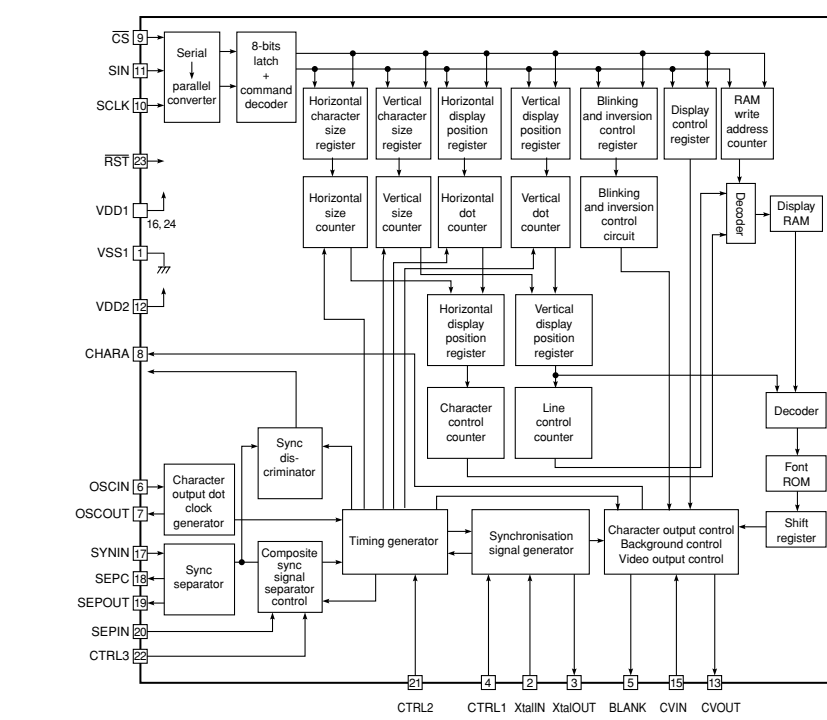
IC710: LA7104M Video Amp



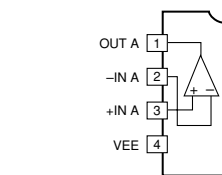
IC714: BD7851FP-E2 LED driver IC with built-in 16bit shift register



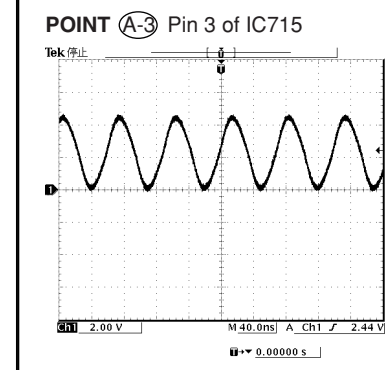
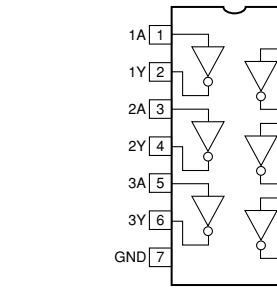
IC715: LC74781JM-9798 On-Screen Display Controller LSI



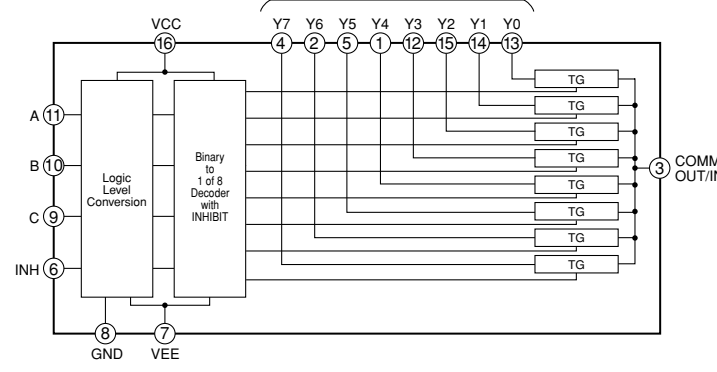
IC712: TK15420M Video Amp



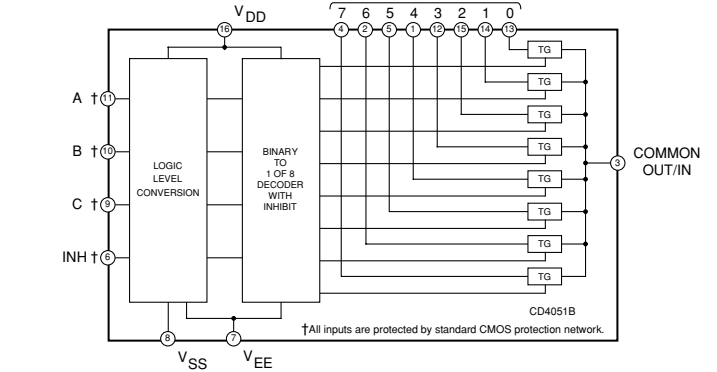
IC713: TC74HC04AFEL Hex Inverters



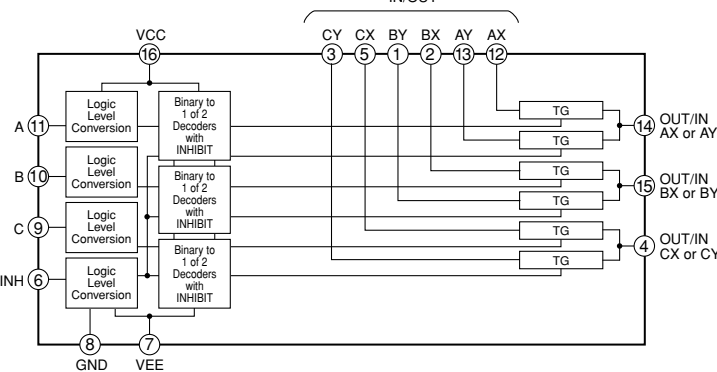
IC701, 703: MM74HC4051SJX 8-Channel Analog Multiplexer



IC705: CD4051BNSR Single 8-Channel multiplexer



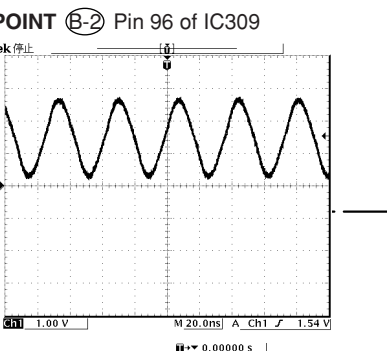
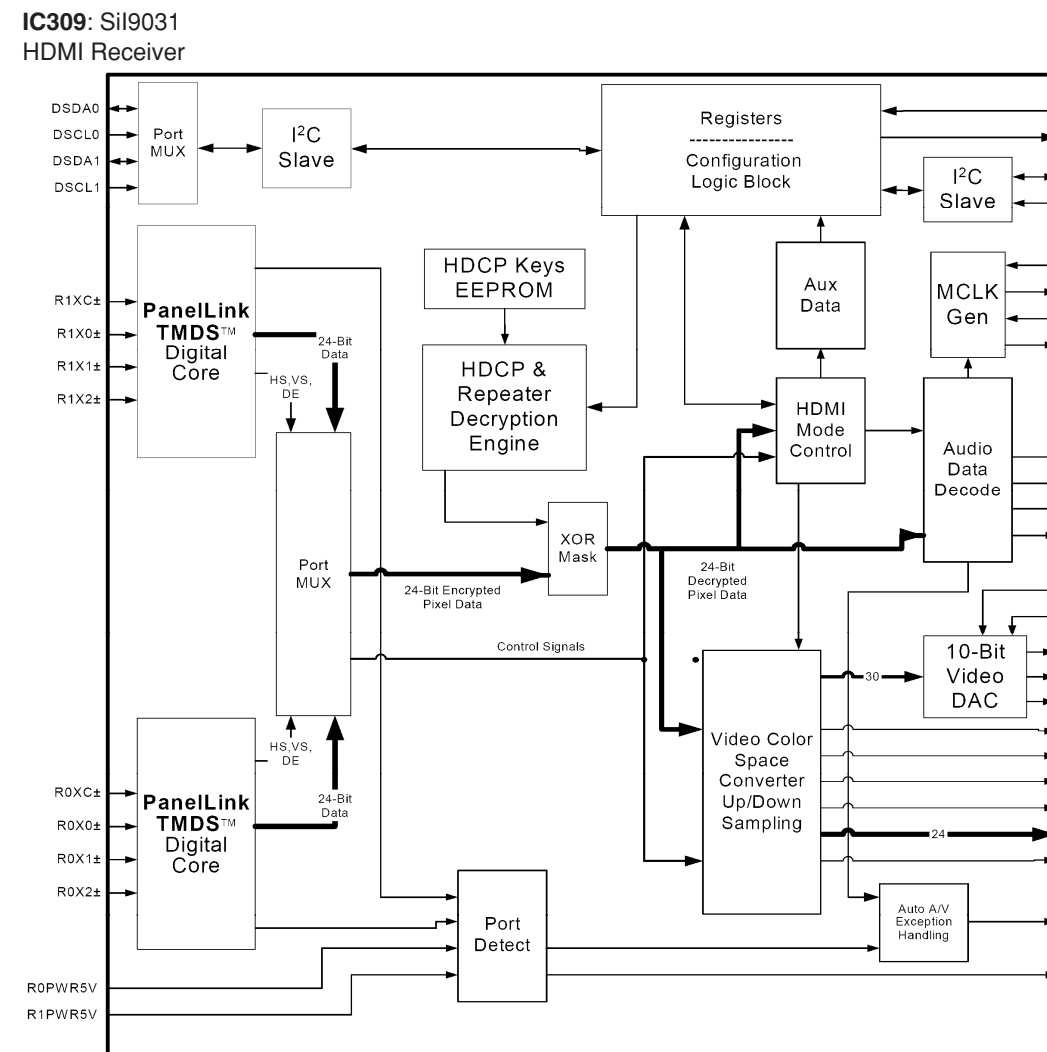
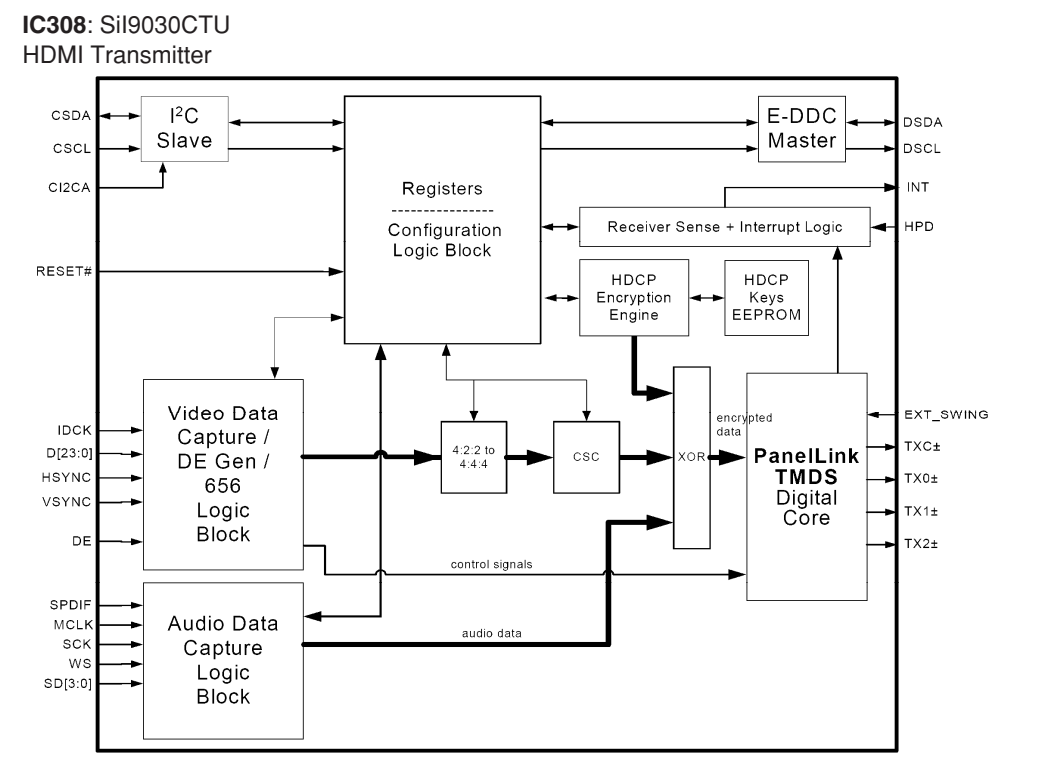
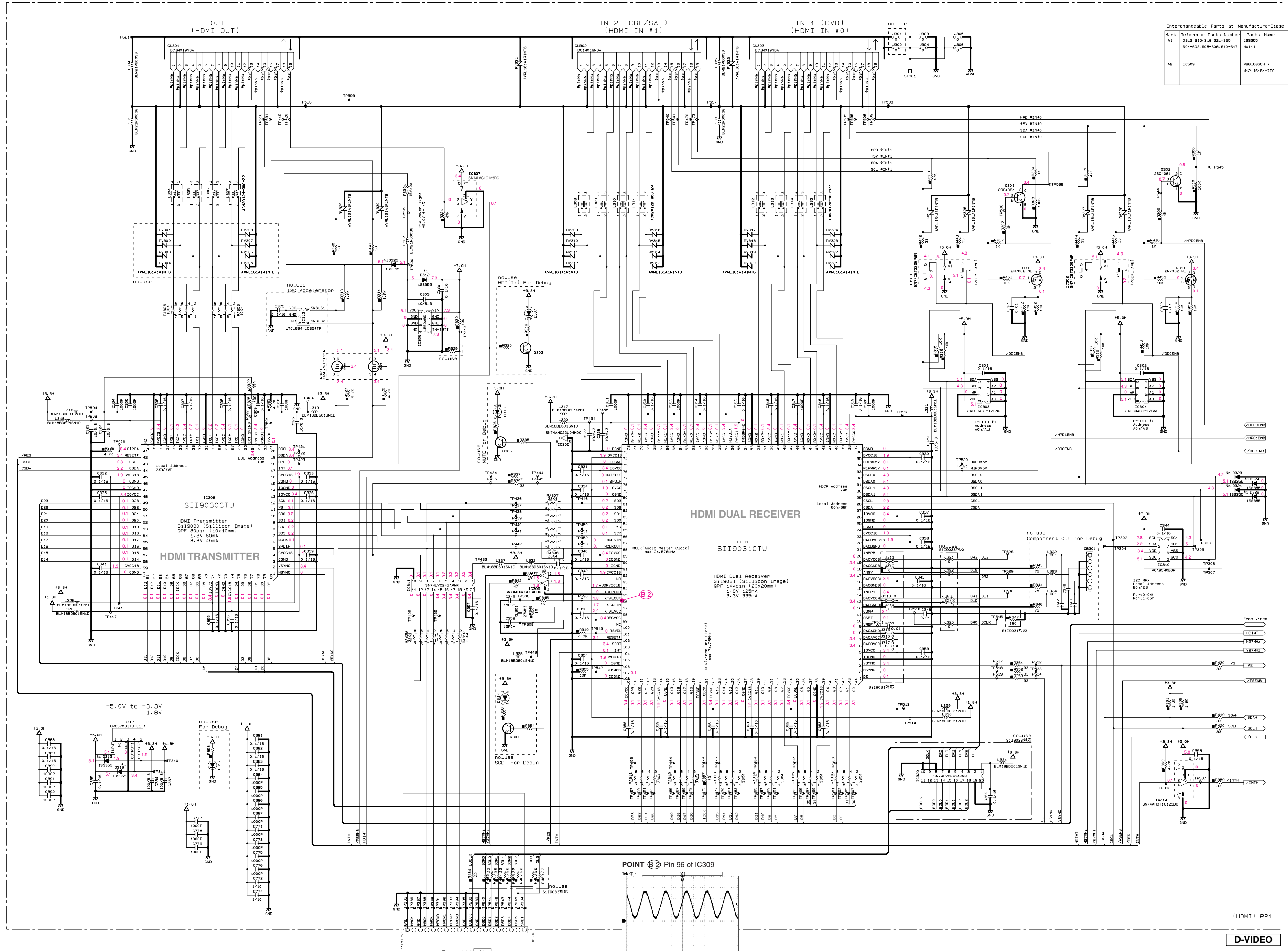
IC708, 716: MM74HC4053SJX Triple 2-Channel Analog Multiplexer



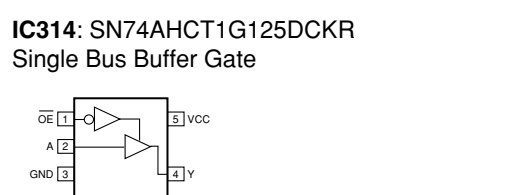
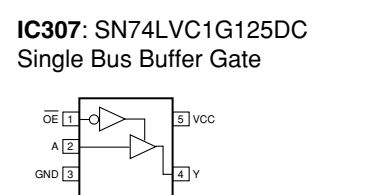
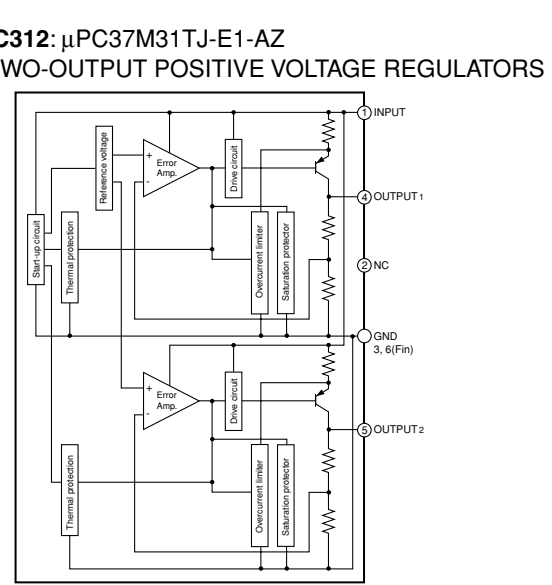
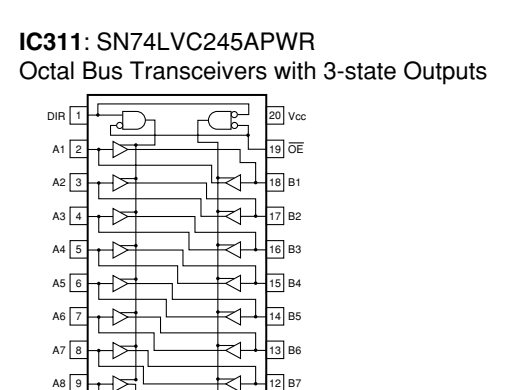
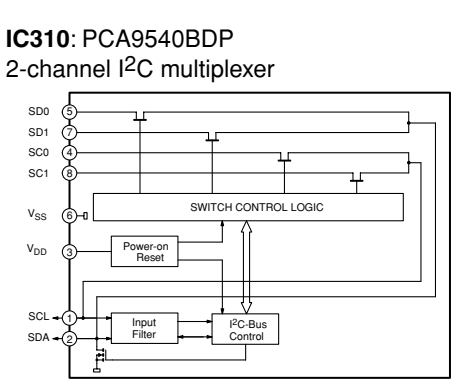
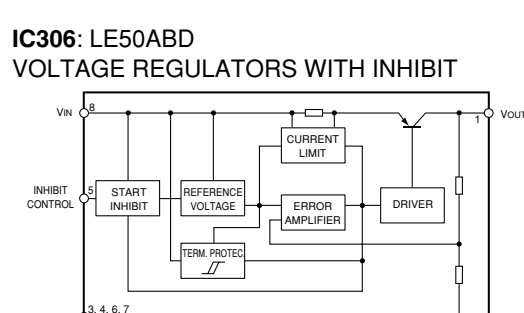
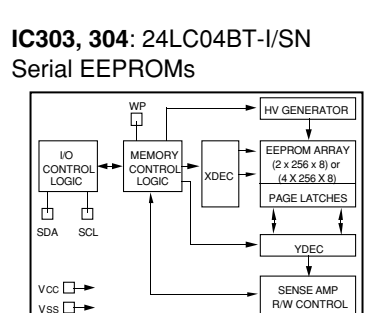
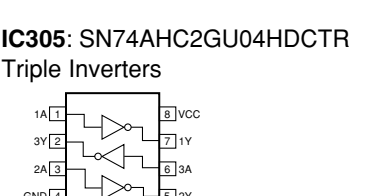
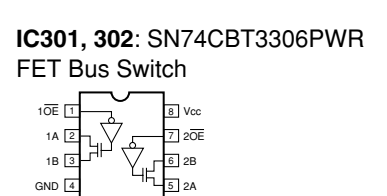
\* All voltages are measured with a 10MΩ/V DC electronic volt meter.  
 \* Components having special characteristics are marked !, and must be replaced with parts having specifications equal to those originally installed.  
 \* Schematic diagram is subject to change without notice.

●電圧は、内部抵抗10MΩの電圧計で測定したものです。  
 ●!印のある部品は、安全性確保部品を示しています。部品の交換が必要な場合、パーツリストに記載されている部品を使用してください。  
 ●本回路図は標準回路図です。改良のため予告なく変更することがございます。





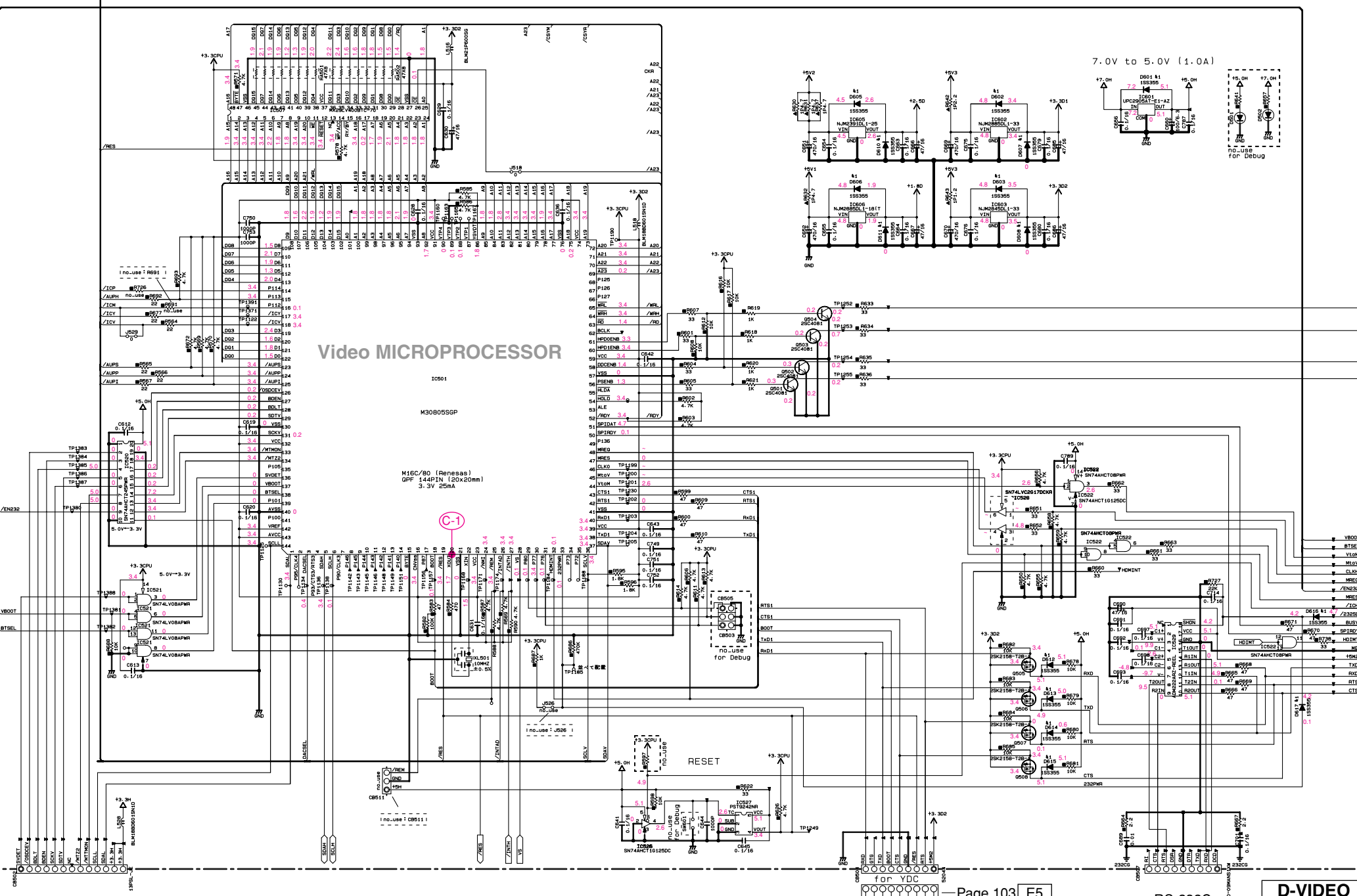
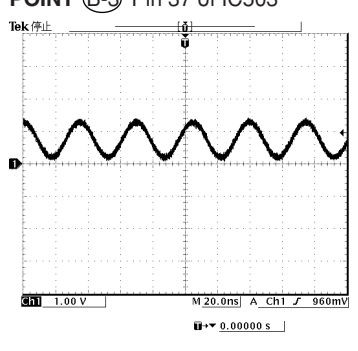
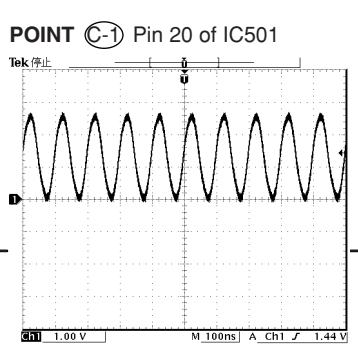
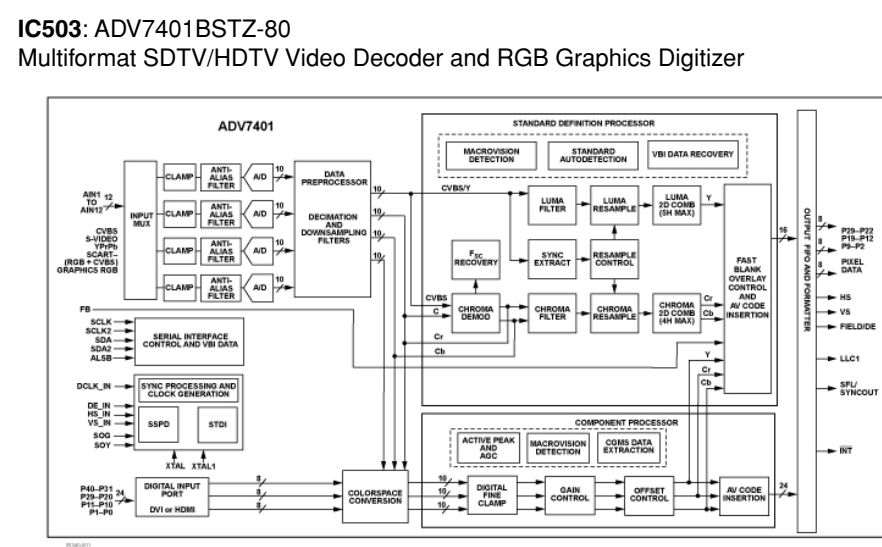
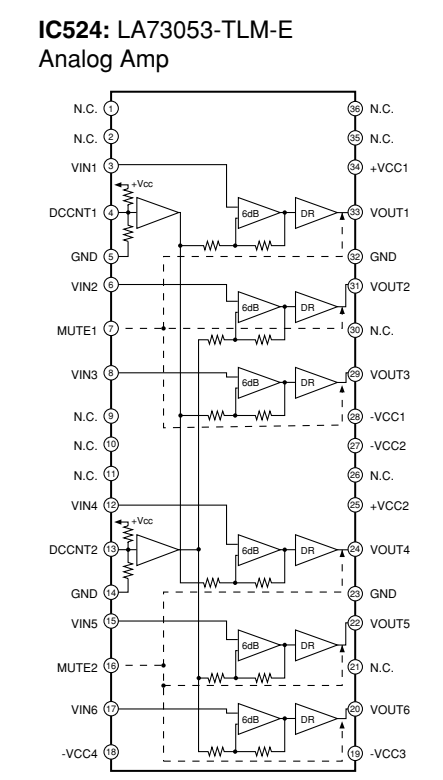
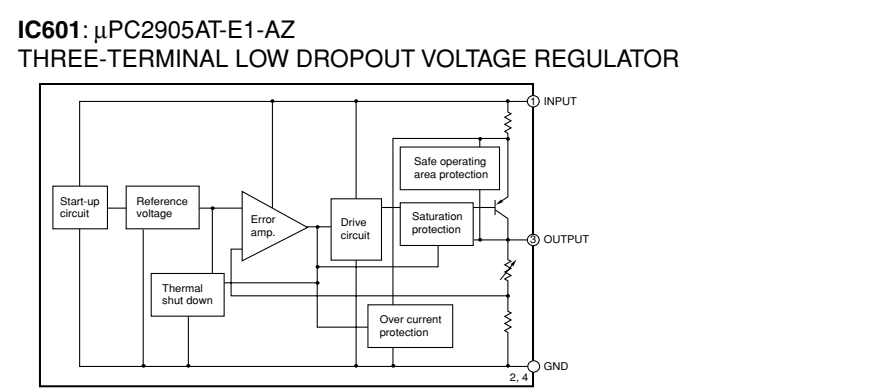
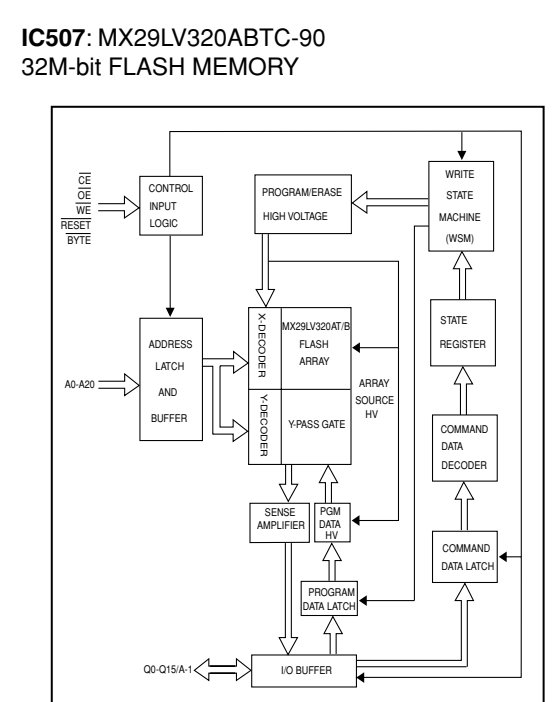
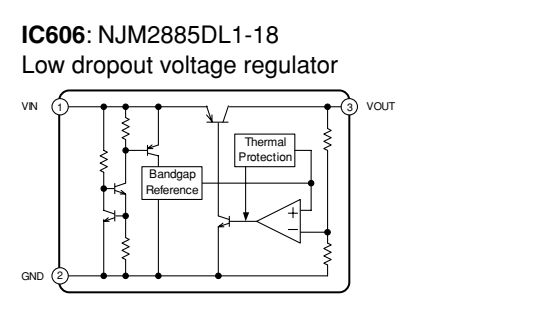
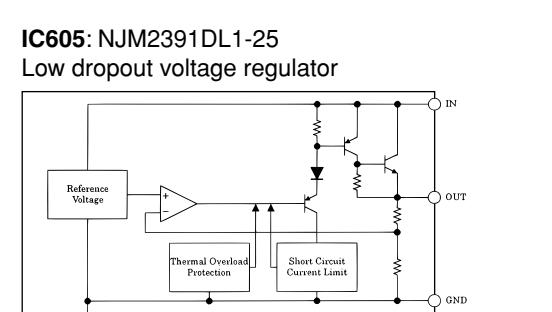
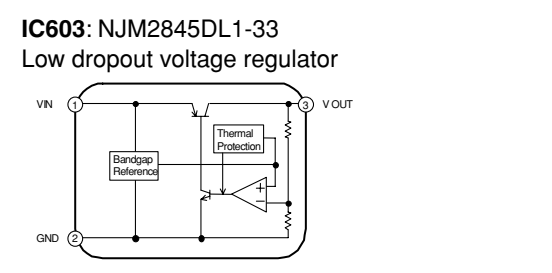
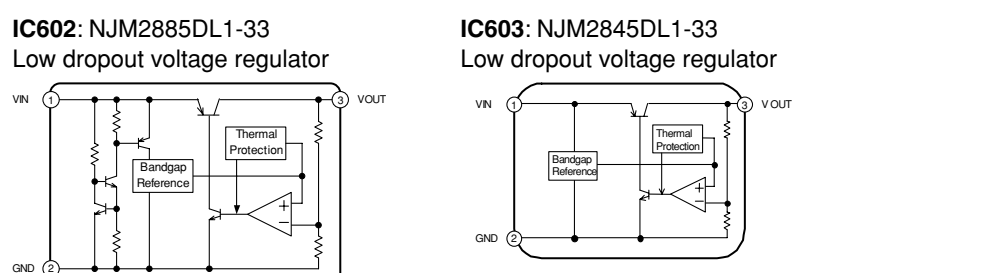
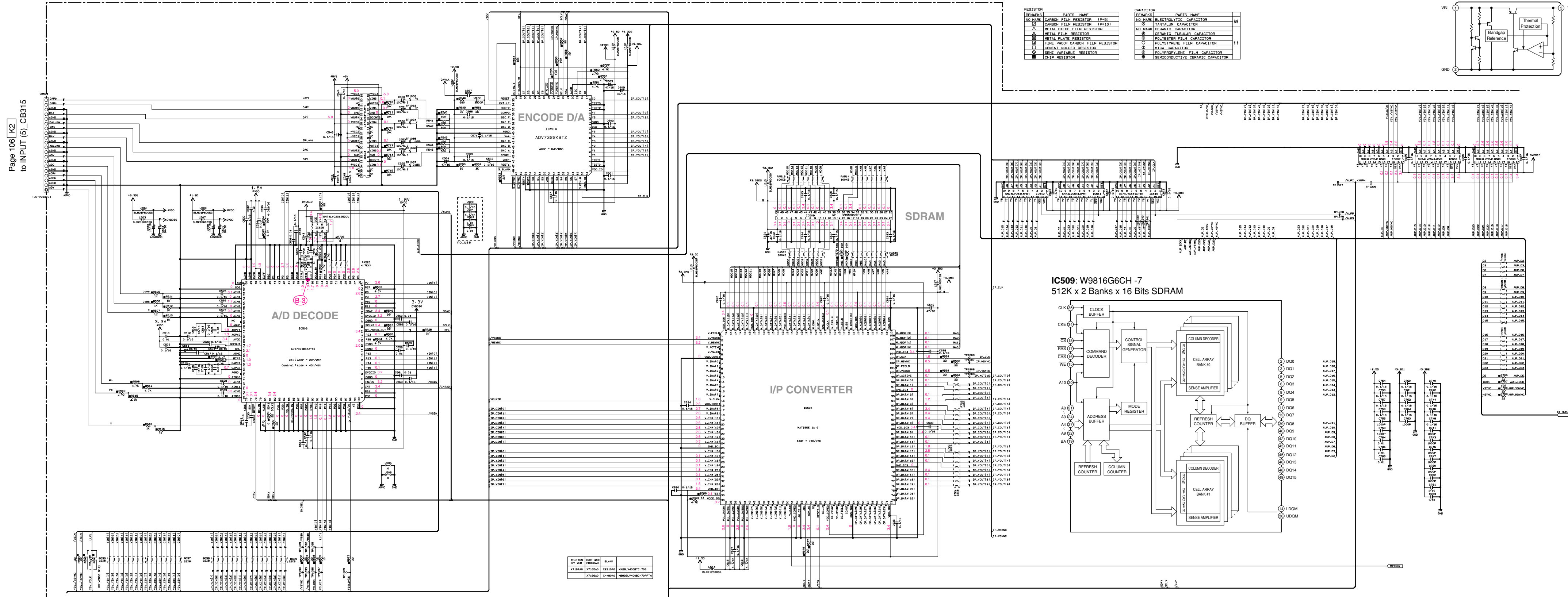
Page 101 13 to FUNCTION (1)\_CB314



★ All voltages are measured with a 10MΩV DC electronic volt meter.  
 ★ Components having special characteristics are marked with a triangle and must be replaced with parts having specifications equal to those originally installed.  
 ★ Schematic diagram is subject to change without notice.

● 電圧は、内部抵抗10MΩの電圧計で測定したものです。  
 ● 印のある部品は、安全性確保部品を示しています。部品の交換が必要な場合、パーツリストに記載されている部品を使用してください。  
 ● 本回路図は標準回路図です。改良のため予告なく変更することがございます。





Page 105 | I2  
to POWER (7)\_W326

Page 105 | G7  
to POWER (5)\_W2

Page 101 | I3  
to FUNCTION (1)\_CB315

Page 103 | E5  
to OPERATION (2)\_CB910

\* All voltages are measured with a 10MΩ/V DC electronic volt meter.  
\* Components having special characteristics are marked !, and must be replaced with parts having specifications equal to those originally installed.  
\* Schematic diagram is subject to change without notice.

● 電圧は、内部抵抗10MΩの電圧計で測定したものです。  
● !印のある部品は、安全性確保部品を示しています。部品の交換が必要な場合、パーツリストに記載されている部品を使用してください。  
● 本回路図は標準回路図です。改良のため予告なく変更することがございます。

